



simple

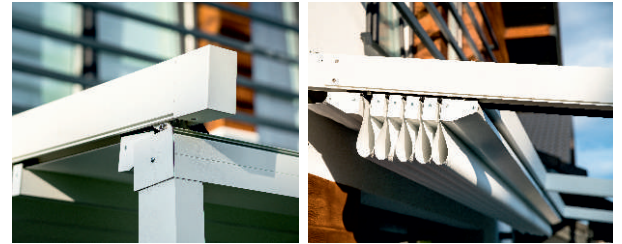
- product card

The Tarasola Simple is an economic pergola yet still attractive. It looks great both in traditional and modern surroundings. It comes only in a wall-mounted version and is intended mostly for private and domestic use. The construction is controlled manually by a crank handle or with an electric motor, if required. While a modest construction, Simple is a model with many possibilities, with additional features which can include LED spotlights, roller blinds, infrared heaters. It creates a perfect place for relaxing in, regardless of changeable weather conditions.



SPECIFICATION

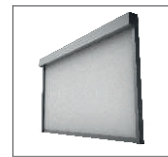
- Construction made from corrosion resistant extruded aluminium.
- Manual control using crank handle (included in the price).
- Alternatively, comes with electric motor (extra charge).
- Water drainage system inclusive in the price.
- TechProtect roof fabric - comes as standard (other fabrics available on request).
- Possibility of powder coating in any RAL colour.
- Comes in wall-mounted version only.
- Option of modular connection.
- 3rd class wind resistance.
- Option of additional accessories:
 - lighting,
 - roller blinds (screeners),
 - infrared heaters.



LED lighting - spotlights



Infrared heaters



Roller blinds (screeners)



LED lighting - LED strip lights, integrated with the gutter



COLOURS


CONSTRUCTION


9010ST
Colour cream-white
similar to RAL9010
(in set)



7016ST
Colour anthracite
-metallic similar
to RAL7016 (in set)

ADDITIONAL COLOURS


Any colour from the
RAL palette
(extra charge + 10%)


Wood-like varnish
(extra charge + 20%)

WIND RESISTANT BEAMS


9016
Colour White
similar to RAL9010
(in set)


1013
Colour Cream
(in set)


7016ST
Colour anthracite
-metallic similar
to RAL7016 (in set)

ADDITIONAL COLOURS


Any colour from the
RAL palette
(extra charge + 5%)

FABRICS

TechProtect (in standard)

SOLTIS W 96 (extra charge)

Serge 600 SOLAR (extra charge)

STANDARD FABRIC COLOURS (TECHPROTECT)

 white/ white 112

 grey/ light grey 877

 cream/ cream 272

 grey/ cream 878

 bordeaux/ cream 444

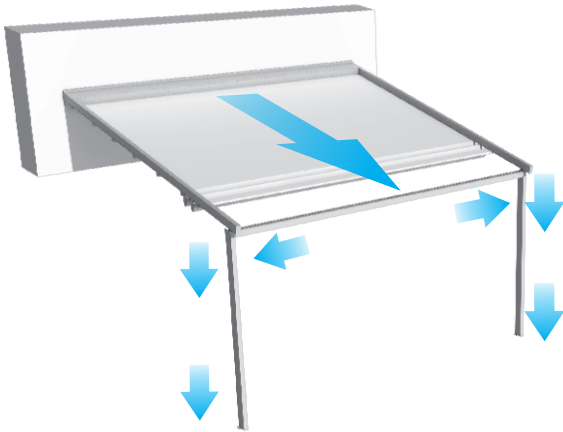
 anthracite/ cream 815

 taupe/ cream 819

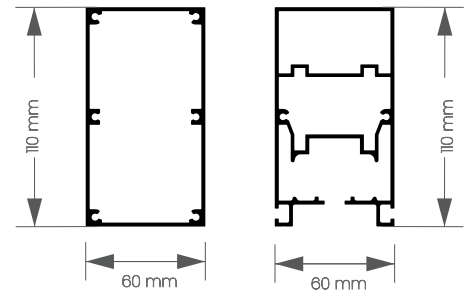
 green/ cream 632

The Machinery Directive 2006/42/EC of the EU Parliament and of the Council - SAFETY OF MACHINES AND EQUIPMENT - Regulation amending Annex III to Regulation (EU) No 305/2011/ a declaration of performance on construction products (CPR), in accordance with the standards: PN - EN 13561 + A1:2010 - EXTERNAL BLINDS - operational requirements and safety; according to the norm: PN - EN 1932:2013 - 09 - EXTERNAL BLINDS / ROLLER SCREEN / RESISTANCE TO WIND PRESSURE - BY RESEARCH METHODS

WATER DRAINAGE



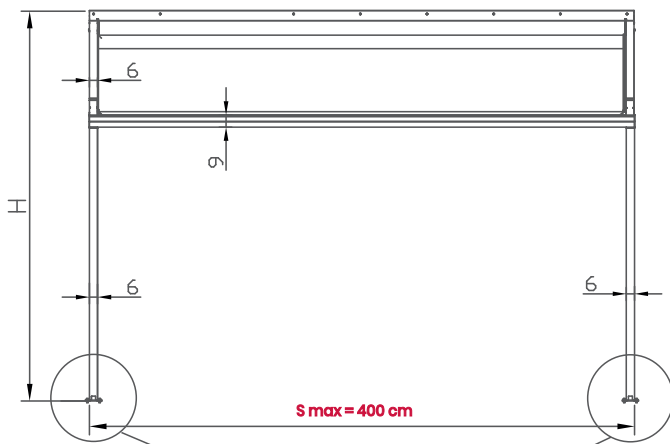
CROSS-SECTION PROFILE



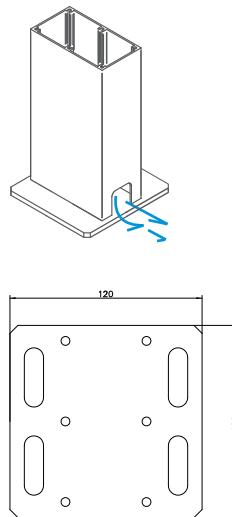
Supporting pillar

Rail profile

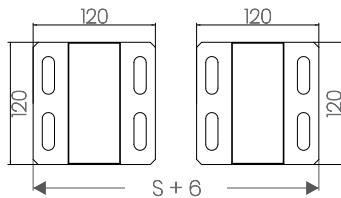
FRONT VIEW



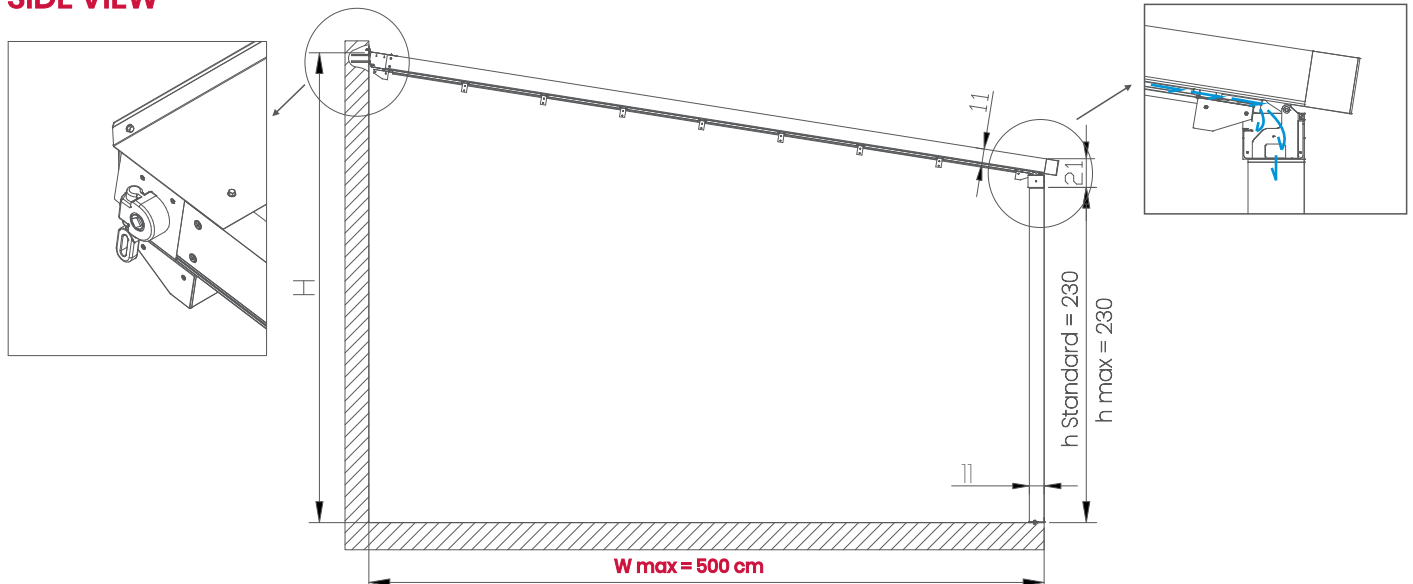
WATER DRAINAGE



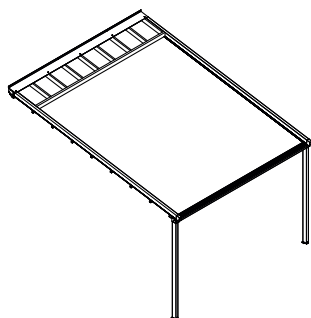
POSITION OF EXTERNAL FIXING PLATES



SIDE VIEW



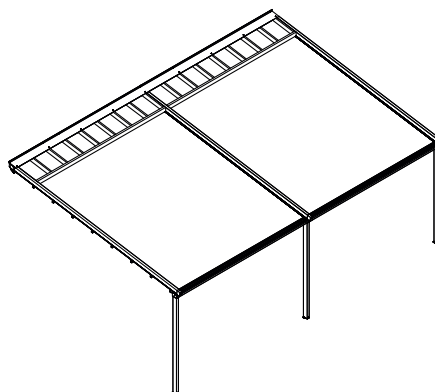
MULTIPLE MODULAR CONNECTION



1 module:

Width max - 400 cm

Max projection - 500 cm



2 modules:

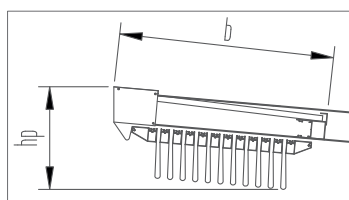
Width max - 700 cm

Max projection - 500 cm

*Rail - always in the axis of the pillar

FABRIC BUNDLE

Calculation table for the bundle and fabric visor






P [cm]	b[cm]	l [pc]	hp [cm]
Projection of the construction	Projection of fabric visor	Number of wind resistant beams	Bundle height after folding (± 5cm)
200	53	4	45
250	59	5	45
300	65	6	46
350	71	7	46
400	77	8	47
450	83	9	47
500	89	10	48

The total height of a folded fabric varies, depending on the spacing between the wind-resistant beams. On request, spacing can be reduced, so reducing the total height of the folded fabric (hp).

S [%]	L [cm]
Minimal slope	Maximum distance between guides
6-7	200
7-8	200-250
8-10	250-300
10-12	300-350
12-14	350-400

Calculation table for roof slopes regarding the distance between the guides.

Fabrics	description
Techprotect	850 g/m ²
Soltis W 96	620 g/m ²
Serge 600 SOLAR	645 g/m ²
Remote controls  RTS	
SITUO 1 RTS remote control, single-channel	
SITUO 5 RTS remote control, five-channel	
TELIS 1 SOLIRIS RTS remote control, single-channel with solar sensor support	
TELIS 4 SOLIRIS RTS remote control, five-channel with solar sensor support	
TELIS 16 RTS remote control, sixteen-channel	
Remote controls  IO	
SITUO 1 IO remote control, single-channel	
SITUO 5 IO remote control, five-channel	
NINA IO remote control	
NINA TIMER IO remote control	
Controls  TELECO	
Radio control unit for 1 motor	
Radio control unit for 1 motors, integrated with LED receiver (max. 75 pc LED spotlights)	
Power suply 150 W	
42 channel remote control, black/white	

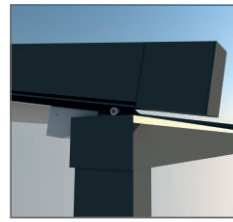
Lighting



LED lighting - spotlights

LED spotlights
Additional control up to 25 spotlights Somfy RTS
Additional control up to 50 spotlights Somfy RTS
Additional control up to 25 spotlights Somfy IO
Additional control up to 50 spotlights Somfy IO

Min. of 8 spotlights per construction, min. 3 LED spotlights on a wind resistant beam.



LED lighting - LED strip lights, integrated with the gutter

LED strip 8W - White
LED strip RGB 8W
Controller white/RGB TELECO up to 28 m (max. 4 pc LED strip)
Power supply up to 18 m
Power supply from 18-36 m

Smartphone control



TAHOMA SOMFY
CONEXON IO
CONEXON RTS
DAISY TELECO

Weather sensors

Wind EOLIS SENSOR RTS for radio engines (white)

Wind-Solar SOLIRIS SENSOR RTS for radio engines (white)

Wind TELECO

Rain TELECO

Temperature TELECO

Rain and temperature sensors to detect snow TELECO

Infrared heaters

power

Infrared heater GRI - controlled by a switch with a LOW GLARE emitter that generates less light, water-tight class IP65, colour: white or black, usually controlled by a wall switch. For external use.

1,5 kW

Infrared heater GR2 IR - a infrared heater with a built-in infrared receiver, remote control and a LOW GLARE emitter that releases less light. Water-tight class IP65, colour white or black, controlled by an infrared remote control (in set). For external use.

1,5 kW

Additional infrared remote control

Radio receivers for infrared heaters GRI

Somfy RTS receiver

Enables operation of the GRI infrared heater with TELIS remote controls in the on/off range.

For the single infrared heater max. power 2 kW

Somfy RTS MODULIS Receiver

GRI infrared heater can be operated by TELIS MODULIS (recommended) and TELIS remote controls in the on/off range and smooth regulation of heat intensity from 0% to 100%.

For of 1 to 2 infrared heaters of total power 3 kW

SOMFY IO ON/OFF Receiver for 1 infrared heater 2kW

Enables operation of infrared heater Gr1.

For the single infrared heater max. power 2 kW

TELECO ON/OFF Receiver up to 1-2 pcs infrared heater 3kW

Enables operation of infrared heater Gr1.

For of 1 to 2 infrared heaters of total power 3 kW



Contact:

phone: +48 607 189 400

+48 502 342 842

e-mail: export@tarasola.com

www.tarasola.com