



# Elegancy

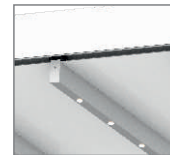
## - product card

The Tarasola Elegancy is a stylish terrace roofing which, thanks to modern innovations, is always easy and practical to use. It is made from aluminium with an awning made from TechProtect fabric, which is waterproof, non-flammable, UV resistant and very durable. The rolled up fabric roof is covered and protected with a visor. Available with extra accessories which enable you to enjoy your patio, garden or restaurant terrace most of the year. It will be a focal point for leisure, parties and family dinners.



## SPECIFICATION

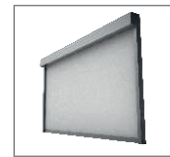
- Construction made from corrosion resistant extruded aluminium.
- Electric motor control included in the price.
- Water drainage system inclusive in the price.
- TechProtect roof fabric - comes as standard (other fabrics available on request).
- Possibility of powder coating in any RAL colour.
- Available in wall-mounted and free-standing version.
- Option of modular connection.
- Construction's wind resistance up to 120 km/h.
- Possibility of installing a fabric visor.
- Option of additional accessories:
  - lighting,
  - glazing,
  - roller blinds (screeners),
  - infrared heaters,
  - wind, solar and rain sensors.



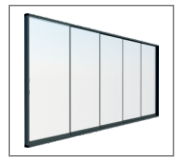
LED lighting - spotlights



Infrared heaters



Roller blinds (screeners)



Glazing



## COLOURS

### CONSTRUCTION



9010ST  
Colour cream-white  
similar to RAL9010  
(in set)



7016ST  
Colour anthracite-  
metallic similar to  
RAL 7016 (in set)



9007  
Colour Grey  
aluminium  
RAL9007 (in set)



### ADDITIONAL COLOURS

Any colour from  
the RAL palette  
(extra charge + 10%)



Wood-like varnish  
(extra charge  
+ 20%)

### WIND RESISTANT BEAMS



9016  
Colour White  
(in set)



1013  
Colour Cream  
(in set)



7016ST  
Colour anthracite-  
metallic similar to  
RAL 7016 (in set)



### ADDITIONAL COLOURS

Any colour from the  
RAL palette  
(extra charge + 5%)

## FABRICS

TechProtect (in standard)

SOLTIS W 96 (extra charge)

Serge 600 SOLAR (extra charge)

**FABRIC VISOR** - the possibility to install a fabric visor  
(extra charge)

## STANDARD FABRIC COLOURS (TECHPROTECT)



white/ white 112



bordeaux/ cream 444



grey/ light grey 877



anthracite/ cream 815



cream/ cream 272



taupe/ cream 819



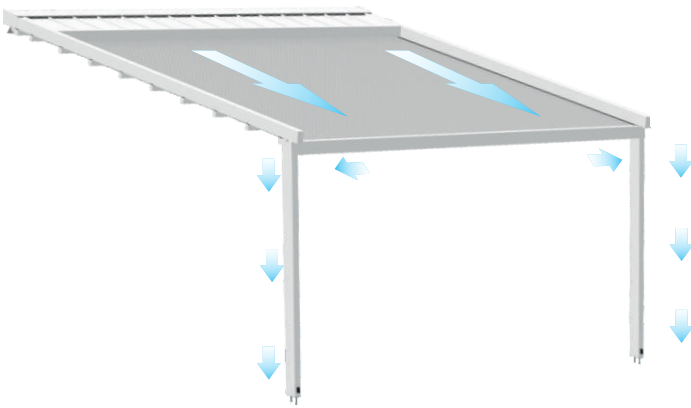
grey/ cream 878



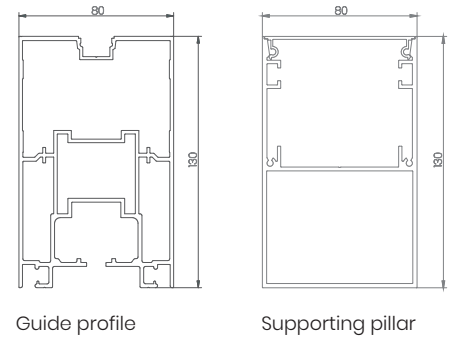
green/ cream 632

The Machinery Directive 2006/42/EC of the EU Parliament and of the Council - SAFETY OF MACHINES AND EQUIPMENT - Regulation amending Annex III to Regulation (EU) No 305/2011/ a declaration of performance on construction products (CPR), in accordance with the standards: PN - EN13561 + A1: 2010 - EXTERNAL BLINDS - operational requirements and safety; according to the norm: PN - EN1932: 2013 - 09 - EXTERNAL BLINDS / ROLLER SCREEN / RESISTANCE TO WIND PRESSURE - BY RESEARCH METHODS

## WALL-MOUNTED MODEL



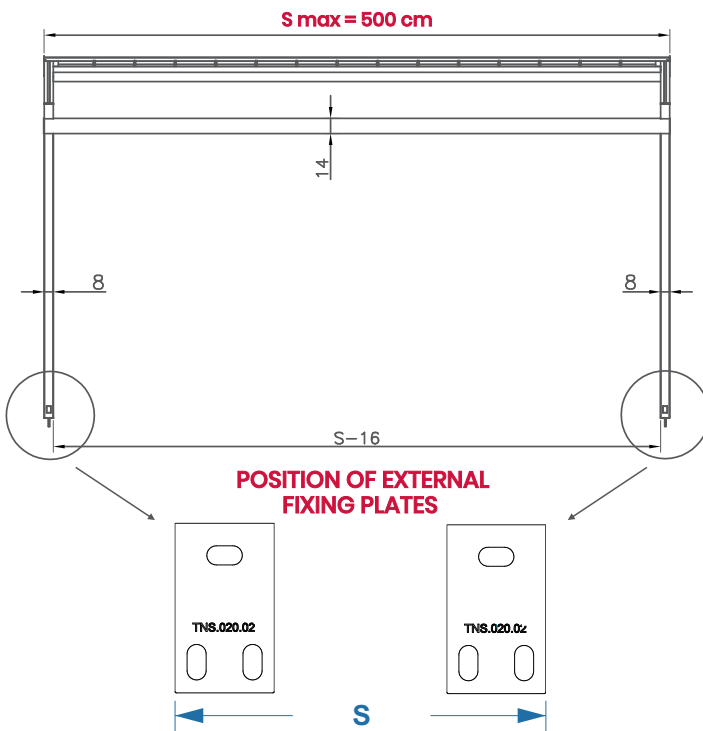
## CROSS-SECTION PROFILE



Guide profile

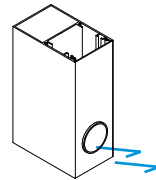
Supporting pillar

## FRONT VIEW

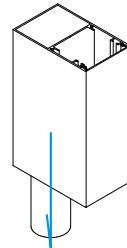


## WATER DRAINAGE

Front



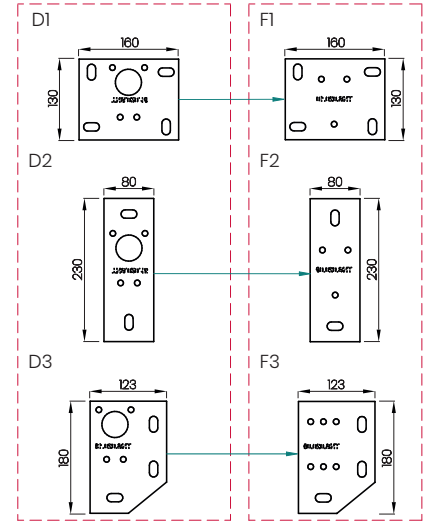
Bottom



## FIXING PLATE EXTERNAL

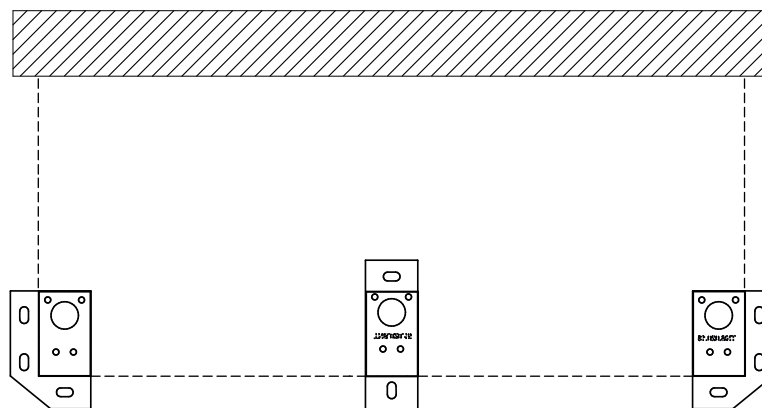
BOTTOM

FRONT

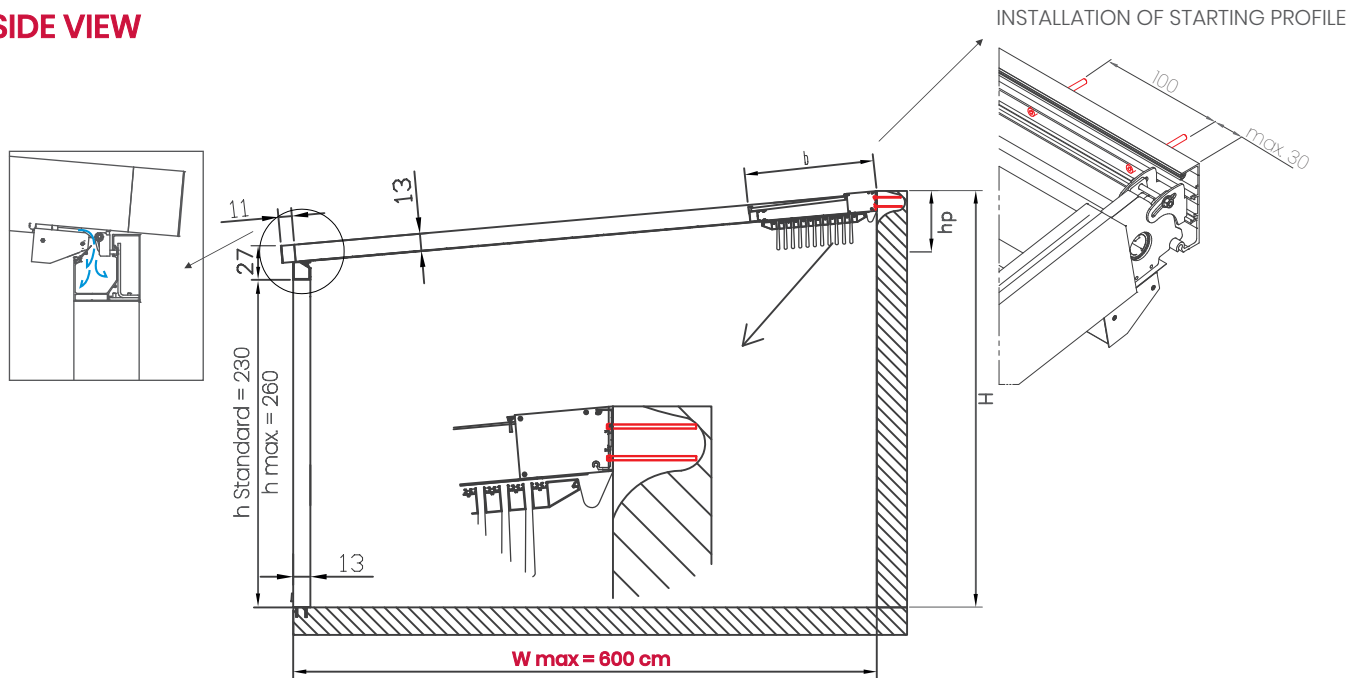


UNPAINTED STAINLESS STEEL

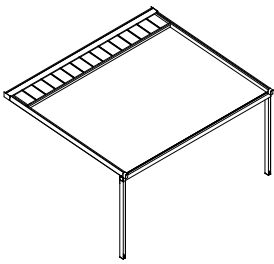
## LAYOUT EXAMPLE



## SIDE VIEW



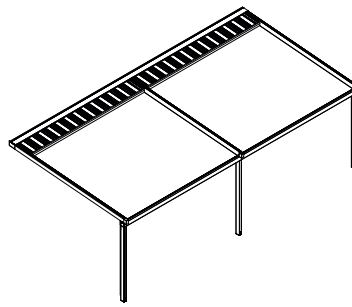
## WALL-MOUNTED MODEL



1 module:

Width max - 500 cm

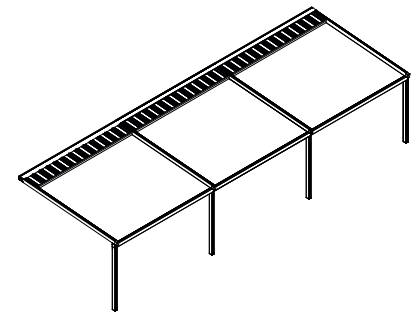
Max projection - 600 cm



2 modules:

Width max - 950 cm

Max projection - 600 cm



3 modules:

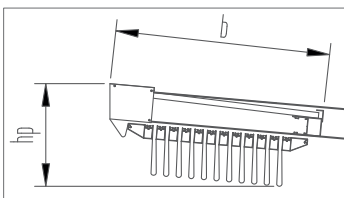
Width max - 1350 cm

Max projection - 600 cm

\*Rail - always in the axis of the pillar.

## FABRIC BUNDLE

Calculation table for the bundle and fabric visor



P [cm]	b[cm]	l [pc]	hp [cm]
200	53	4	45
250	59	5	45
300	65	6	46
350	71	7	46
400	77	8	47
450	83	9	47
500	89	10	48
550	95	11	49
600	101	12	50

The total height of a folded fabric varies, depending on the spacing between the wind-resistant beams. On request, spacing can be reduced, so reducing the total height of the folded fabric (hp).

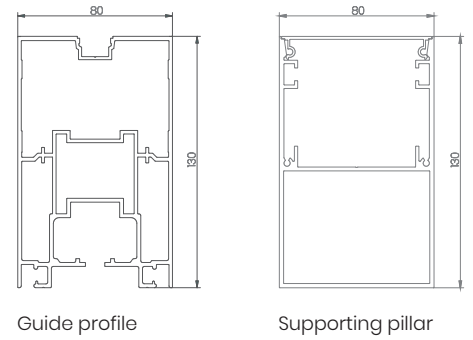
S [%]	L [cm]
6-7	200
7-8	200-250
8-10	250-300
10-12	300-350
12-14	350-400
14-16	400-450
≥17	450-500

Calculation table for roof slopes regarding the distance between the guides.

## FREE-STANDING MODEL



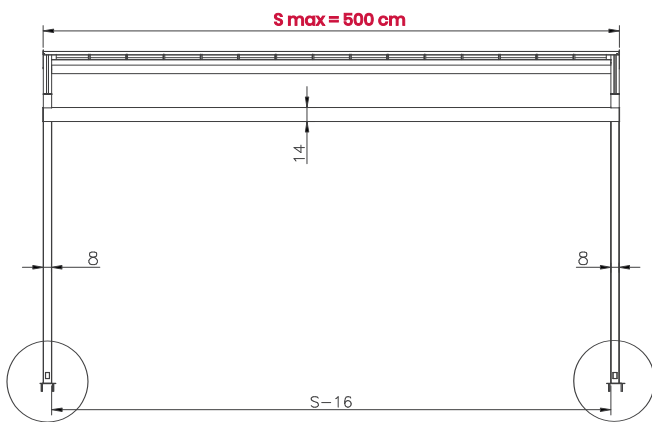
## CROSS-SECTION PROFILE



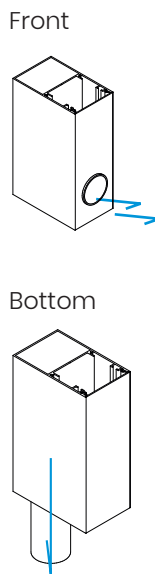
Guide profile

Supporting pillar

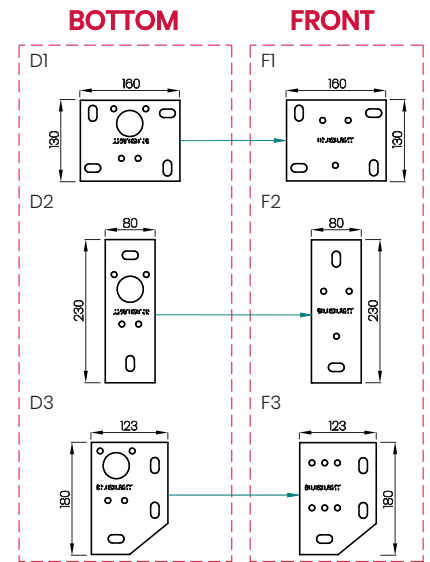
## FRONT VIEW



## WATER DRAINAGE

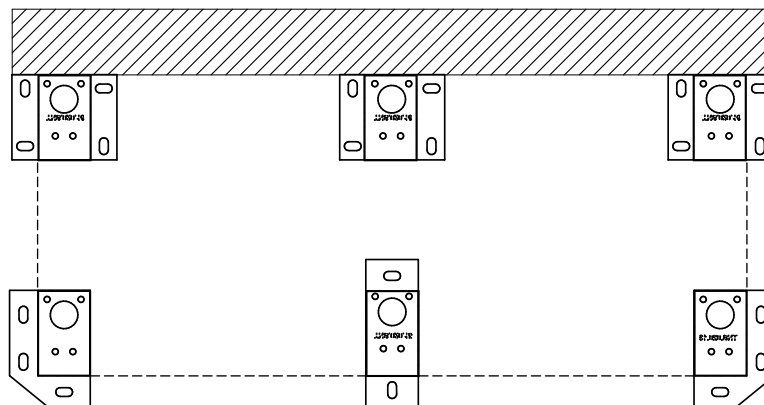


## FIXING PLATE EXTERNAL



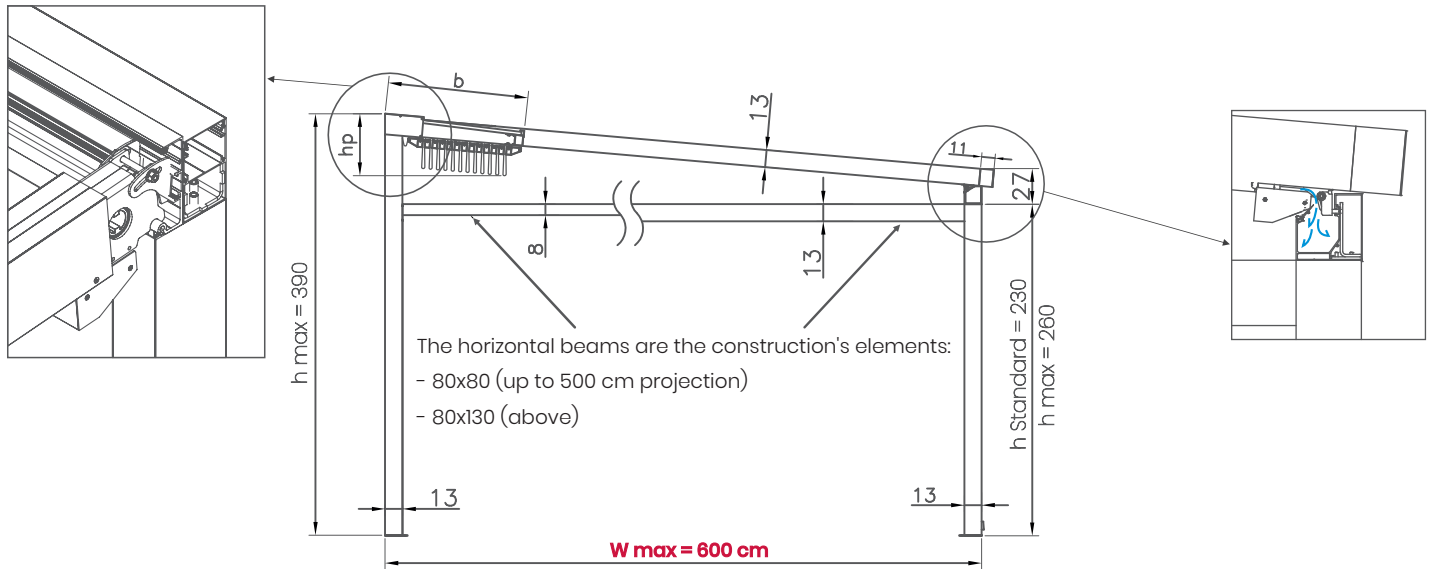
UNPAINTED STAINLESS STEEL  
STANDARD IN FREE-STANDING  
CONSTRUCTION

## LAYOUT EXAMPLE

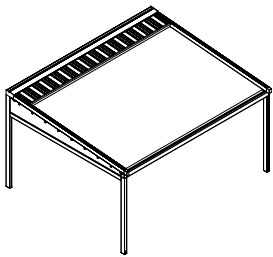




## SIDE VIEW



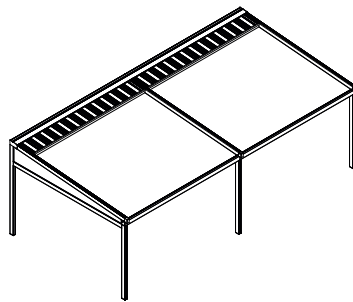
## FREE-STANDING MODEL



1 module:

Width max - 500 cm

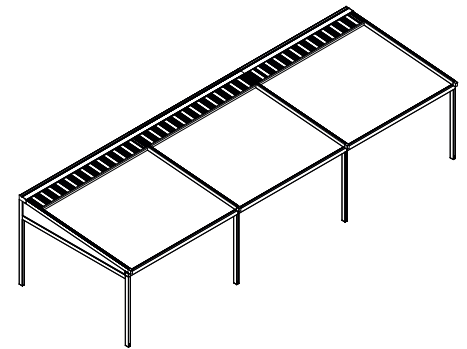
Max projection - 600 cm



2 modules:

Width max - 950 cm

Max projection - 600 cm



3 modules:

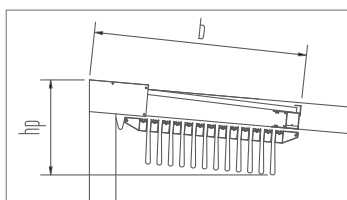
Width max - 1350 cm

Max projection - 600 cm

\*Rail - always in the axis of the pillar

## FABRIC BUNDLE

Calculation table for the bundle and fabric visor



P [cm]	b [cm]	l [pc]	hp [cm]
Projection of the construction	Projection of fabric visor	Number of wind resistant beams	Bundle height after folding (± 5cm)
200	53	4	45
250	59	5	45
300	65	6	46
350	71	7	46
400	77	8	47
450	83	9	47
500	89	10	48
550	95	11	49
600	101	12	50

The total height of a folded fabric varies, depending on the spacing between the wind-resistant beams. On request, spacing can be reduced, so reducing the total height of the folded fabric (hp).

S [%]	L [cm]
Minimal slope	Maximum distance between guides
6-7	200
7-8	200-250
8-10	250-300
10-12	300-350
12-14	350-400
14-16	400-450
≥17	450-500

Calculation table for roof slopes regarding the distance between the guides.

## Side triangles cover

Solid polycarbonate 6 mm

Screen, Techprotect

## Fabrics

description

Techprotect

850 g/m<sup>2</sup>

Soltis W 96

620 g/m<sup>2</sup>

Serge 600 SOLAR

645 g/m<sup>2</sup>

## Motors

### Wired motor

SOMFY – mechanical limit switches, compatible with TELECO control panels

### Radio motors

SOMFY ALTUS RTS

SOMFY PERGOLA IO

## Remote controls RTS

SITUO 1 RTS remote control, single-channel

SITUO 5 RTS remote control, five-channel

TELIS 1 SOLIRIS RTS remote control, single-channel with solar sensor support

TELIS 4 SOLIRIS RTS remote control, five-channel with solar sensor support

TELIS 16 RTS remote control, sixteen-channel

## Remote controls IO

SITUO 1 IO remote control, single-channel

SITUO 5 IO remote control, five-channel

NINA IO remote control

NINA TIMER IO remote control

## Controls TELECO

Radio control unit for 1 motor

Radio control unit for 1 motor, integrated with LED receiver (max. 75 pc LED spotlights)

Power supply 150 W

42 channel remote control, black/white

## Lighting



LED lighting - spotlights

LED spotlights
Additional control up to 25 spotlights Somfy RTS
Additional control up to 50 spotlights Somfy RTS
Additional control up to 25 spotlights Somfy IO
Additional control up to 50 spotlights Somfy IO

Min. of 8 spotlights per construction,  
min. 3 spotlights on a wind resistant beam.

## Audio System TELECO

Audio controlled via Bluetooth
Speaker 25 W
The speakers are built into the frame, diameter 10 cm. Works with the Audio Bluetooth control system.

## Smartphone control



TAHOMA SOMFY
CONEXON IO
CONEXON RTS
DAISY TELECO

## Weather sensors

Wind EOLIS SENSOR RTS for radio engines (white)

Wind-Solar SOLIRIS SENSOR RTS for radio engines (white)

Wind TELECO

Rain TELECO

Temperature TELECO

Rain and temperature sensors to detect snow TELECO

## Infrared heaters

power

Infrared heater GR1 - controlled by a switch with a LOW GLARE emitter that generates less light, water-tight class IP65, colour: white or black, usually controlled by a wall switch. For external use.

1,5 kW

Infrared heater GR2 IR - a infrared heater with a built-in infrared receiver, remote control and a LOW GLARE emitter that releases less light. Water-tight class IP65, colour white or black, controlled by an infrared remote control (in set). For external use.

1,5 kW

Additional infrared remote control

## Radio receivers for infrared heaters GR1

### Somfy RTS receiver

Enables operation of the GR1 infrared heater with TELIS remote controls in the on/off range.

For the single infrared heater max. power 2 kW

### Somfy RTS MODULIS Receiver

Gr1 infrared heater can be operated by TELIS MODULIS (recommended) and TELIS remote controls in the on/off range and smooth regulation of heat intensity from 0% to 100%.

For of 1 to 2 infrared heaters of total power 3 kW

### SOMFY IO ON/OFF Receiver for 1 infrared heater 2kW

Enables operation of infrared heater Gr1.

For the single infrared heater max. power 2 kW

### TELECO ON/OFF Receiver up to 1-2 pcs infrared heater 3kW

Enables operation of infrared heater Gr1.

For of 1 to 2 infrared heaters of total power 3 kW







**Contact:**

phone: +48 607 189 400

+48 502 342 842

e-mail: [export@tarasola.com](mailto:export@tarasola.com)

[www.tarasola.com](http://www.tarasola.com)