

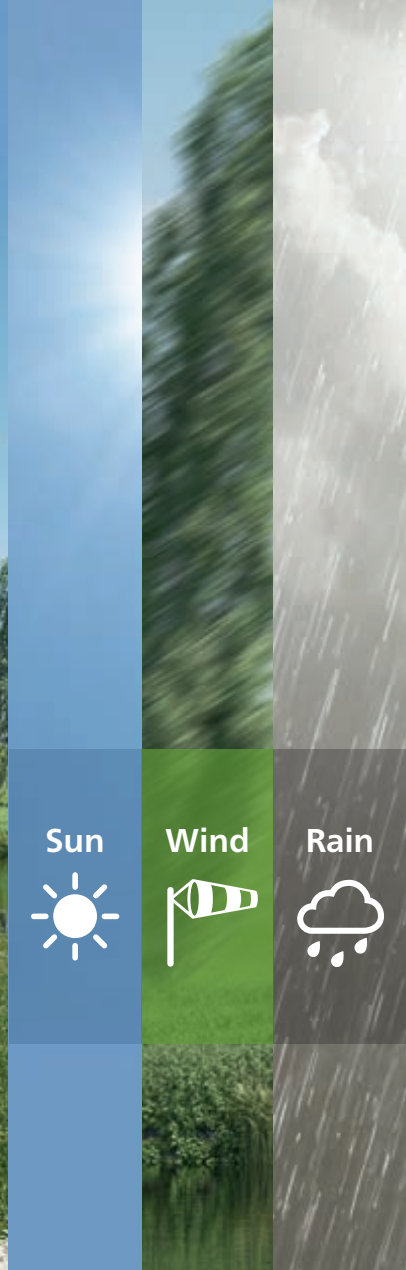
Honoured with:



The textile pergola awning

# Plaza Viva

Alfresco living in almost any weather conditions







**10.00 a.m.** Family breakfast on the patio.  
"It's going to be a beautiful summer's day!"

Frame colour WT 029/70786 | Pattern 3-745

**Plaza Viva** Enjoy the outdoors, in almost any weather  
20°C ☀️ WF 1-2

## Beautiful sun shading even for larger spaces

You should enjoy your great summer's day on the patio without any worries. Plaza Viva provides the necessary shade so you can do just that. And in fact over **up to 30 m<sup>2</sup>**, for the whole family including friends. But Plaza Viva isn't just practical. It adapts to any house facade with its **modern, slimline design**. And the **huge selection of attractive awning fabrics** gives you the option of designing your outdoor space to your own personal taste.



Would you like to enjoy the open air? Then simply open your Plaza Viva to exactly the position you desire at the press of a button.



Rain



Sun



Wind



“This wind is fantastic!”

3.30 p.m. It's getting fresh, the awning simply remains open.

Frame colour WT 029/70786 | Pattern 3-745

Plaza Viva Enjoy the outdoors, in almost any weather

26°C  WF 6



**Our tip:** With the Plaza Viva **OptiStretch** version, the fabric is always held captive and the edges of the cover are prevented from billowing in winds.

## Extremely stable even in windy weather

Yes, a little summer breeze is lovely. Especially if the awning remains stable despite strong gusts. Just like Plaza Viva. Thanks to the two front posts it is **extremely wind-resistant**. The stable structure guarantees that the pergola awning can remain extended **up to wind force 6** (Beaufort) and then also offers reliable sun protection too. Even with facades with not many load bearing substrates, like old buildings for example, the posts withstand strong wind loads consistently.



### OptiStretch or Stretch – always a stable fabric position

With Plaza Viva OptiStretch the fabric is held captive and on all four sides. The advantages: a highly tensioned fabric and no light gap on the sides. The basic version of the Plaza Viva Stretch is tensioned on two sides and there is a light gap between the fabric and guide channel. A strong rope tensioning system ensures even fabric positioning with both versions.





3.30 – 4.00 p.m. A brief summer shower.

“So what? We’re not going to get wet!”

Frame colour WT 029/70786 | Pattern 3-745

Plaza Viva Enjoy the outdoors, in almost any weather

22°C ☁️ WF 1

## Clever rain protection no need to leave your favourite spot

With Plaza Viva you remain dry as the rain water reliably drains off. Our recipe for success: the adjustable telescopic post and the water-repellent awning fabric (more about our fabrics on page 10). You can remain seated in your favourite chair or enjoy a family meal totally relaxed and **enjoying being outdoors in the rain.**

**New: telescopic post for rain drainage**

A minimum awning pitch is required to ensure that rainwater drains off reliably. However, it is not always possible to produce this during installation. The optional telescopic post helps here. You can lower it **using a gear handle** to achieve the required pitch in the rain.



1



2

**Really flexible**

When lowering the top part of the post using the gear handle, the load on the construction is reduced and it remains inherently stable. This is possible thanks **to the wall bracket with floating bearing and compensation joint on the upper part of the post.** Both guarantee that the pitch of the entire awning is ideally adjusted.

**Figure 1:** The wall bracket with floating bearing reduces the load on the whole construction when the telescopic post lowers the awning.

**Figure 2:** Thanks to the compensation joint on the post the awning construction can adjust flexibly to the new pitch.



# Award-winning quality, maximum comfort

Anyone opting for weinor products can rely on top quality. Only high-quality materials are used.

Plaza Viva has been honoured with the **Iconics Award 2019** in the Building Fixtures category for its modern, slimline design.

Honoured with:



## Well protected

The all-round enclosed and robust **awning cassette** keeps the fabric and other component parts well protected from the elements. You can enjoy superb weather protection for many years.



## Wonderful in design and aesthetics

Plaza Viva is designed so that almost no fixings are visible. As a result, the **awning design** looks slimline, modern and elegant. Turn your outdoor space into a hidden gem with Plaza Viva!



## Quiet and consistent operation

The Plaza Viva **tension system** ensures optimum fabric performance and positioning. It includes, amongst other things, a new flat rope and the tried and tested weinor carriage system. The flat rope is **extremely quiet and durable**, the weinor carriage system features **quiet retraction and extension that is gentle on materials**.



9.30 p.m. Children in bed ... a glass of wine on the patio.

"We can sit on our patio well into the night enjoying a cosy atmosphere."

Frame colour WT 029/70786 | Pattern 3-745

## Light and warmth – for ultimate comfort thanks to LEDs and a heating system

Your options for great comfort: enjoy evenings on the patio under warm white **LED spotlights** that can be dimmed infinitely.

You can even enjoy your patio at cooler times with the **Tempura heating system**. It can be retrofitted and is unobtrusively attached to the house facade.



Hand transmitter with display BiEasy 15M Go! and BiEasy app



Alternatively, you can also operate every technical element on your patio using io-homecontrol® from **somfy**.

## Convenient control by hand transmitter, sensor or app

Plaza Viva is fitted as standard with a drive without remote receiver. If you choose an awning with remote-controlled motor and **weinor BiConnect radio control**, you can really easily operate the sun protection, lighting and heating using the hand transmitter or BiEasy app. The sun sensor makes the awning extend automatically – regardless of whether you are at home or not.



weinor

# my collections

High-quality awning fabrics



## Breathtakingly beautiful and long-lasting!

momentum, mélange and not crazy. Choose your favourite pattern from the 3 collections. Whether it's timeless neutral, harmonious or creative trends – we have the right material and matching colour for every taste.



State-of-the-art nanotechnology allows dirt to simply roll off. And the innovative solution dyeing technology guarantees long-lasting colour brilliance.



More information at:  
[www.weinor.com/fabric\\_qualities](http://www.weinor.com/fabric_qualities)

## Individual design with the weinor colours

### Over 200 modern frame colours

At weinor you can select from more than **50 standard colours** and more than **150 other RAL colours**. The powder coating done in our in-house factory guarantees **colour fastness** and a **uniform gloss level**.



### Additional attractive privacy and sun protection from the front

The **Valance Plus** from weinor is the perfect solution for dazzling light, especially when the sun is lying low in the evening. It can be lowered using the gear handle and then also offers reliable privacy protection. The Valance Plus is also available with the fabrics from the screens by weinor® collection that let light and air through.

#### Plaza Viva technical data

Max. width	6 m
Max. projection	5 m
Multi-unit systems	optional
Wind protection:	tested to wind force 6 (Beaufort)
Rain protection*	from a 4° pitch
Roof pitch	4° - 25°
Mounting alternative	installation on walls, ceilings and roofs possible
Motor drive	as standard

\* The water draining effect using the telescopic technology is only achieved with a minimum awning pitch of 4 and when the telescopic post is completely lowered (exception: Valance Plus option. The minimum pitch required here is 5°).

## The ideal complement to your Plaza Viva

### Paravento – the stylish side screen

Paravento shelters you from curious onlookers, sunlight and fresh side winds. As a cost-effective solution, the slim-line, robust cassette can be mounted practically anywhere. The Paravento creates attractive highlights in combination with a state-of-the-art pattern from the weinor fabric collection.



### VertiTex II – the ultimate in vertical sun protection

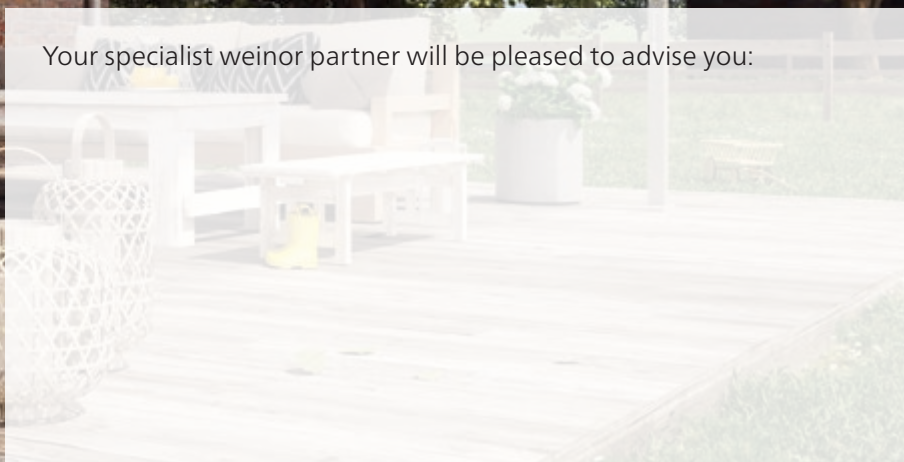
With an externally fitted vertical awning from the VertiTex II range, weinor offers a perfect solution for sun protection, glare protection, wind protection and privacy protection all rolled into one. The fabric and technology are both housed in one miniature cassette but are still capable of shading large areas. The red dot award-winning VertiTex II is available in different versions, colours and fabric qualities.





Patent no			
EP 0959195	EP 3048213	16002202.6	17001050.8
EP 1936062	EP1310609	16002204.2	17001051.6
EP 2072709	EP1835089	16002717.3	17001164.7
EP 2136214	EP1936105	17000149.9	18000571.2
EP 2202376	08006834.9	17000150.7	18000941.7
EP 2383402	1403442	17000580.5	1936061
EP 2631386	16001718.2	17000679.5	2136013
EP 2826945	16002201.8	17000680.3	3054063

**weinor GmbH & Co. KG**  
Mathias-Brüggen-Straße 110  
D-50829 Cologne | [weinor.com](http://weinor.com)



Your specialist weinor partner will be pleased to advise you:

*We reserve the right to make technical changes as well as changes in range and product portfolio. For technical reasons, the colours may appear slightly different when printed.*

0/0219/122567-0000 Z





Pergola awning

# Plaza Viva

Plaza Viva Stretch | Stretch LED |  
OptiStretch | OptiStretch LED

**Plaza Viva** stands for reliable sun and rain protection on the patio. It is incredibly wind-resistant and integrates subtly into the overall look of the house. Not forgetting its practical use on facades that don't have enough load-bearing capacity to mount a folding arm awning. Technical innovations such as the optional lowerable telescopic post, the OptiStretch version, integrated LED lighting and gear handle operated Valance Plus leave almost nothing to be desired.



### 3-part rain protection system



#### Compensation joint:

Reduces the load on the entire construction when lowering the post



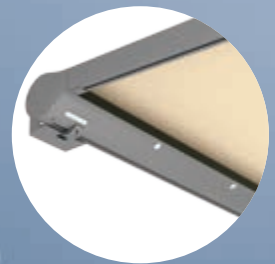
#### Wall bracket with floating bearings:

Also reduces the load on the awning when lowering the post



#### Telescopic post:

Can be lowered using the gear handle to drain rain off reliably



#### Integrated LED lighting:

Moody patio lighting



#### No visible fixings:

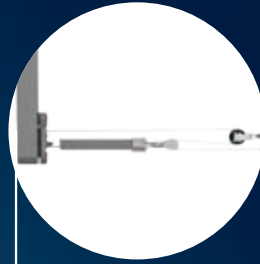
Elegant and slimline design



# Plaza Viva Highlights

02

**New flat rope:**  
Quiet and extremely  
tear-resistant



**Service opening:**  
Easier access to the drive and  
control components with  
BiConnect



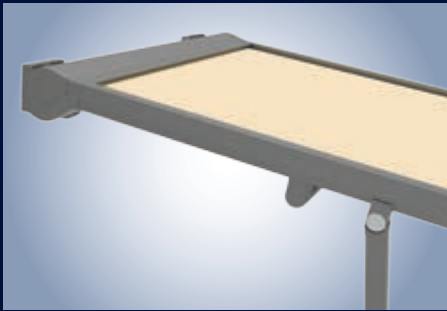
**Plaza Viva OptiStretch:**  
Held captive on 4 sides  
no light gap



**Plaza Viva Stretch:**  
Held captive on 2 sides  
cost effective



# Plaza Viva Benefits



## Large surface protection from the sun – thanks to sturdy aluminium posts

The Plaza Viva stands on solid posts. Making it suitable sun protection for large terraces and offering reliable protection against surging winds.

- For larger dimensions up to 30 m<sup>2</sup>
- Can also be installed on difficult and insulated facades due to reduced load acting on the fixings in the wall brackets
- Wind-resistant up to wind force 6 on the Beaufort scale
- Elegant design, almost no visible screws

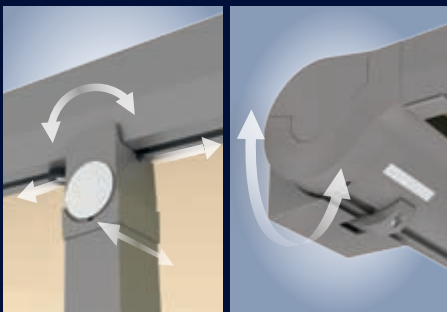


## Telescopic post for rain to drain off reliably (optional)

The optional telescopic post can be really easily fully lowered on one side using the gear handle thus ensuring that rain drains off easily with a pitch awning of 4° or more.

- Just one telescopic post possible per construction
- Reliable rain protection
- No pooling

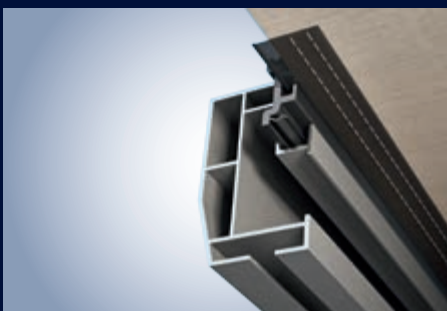
Please observe the important details in the Plaza Viva telescopic post section.



## Compensation joint and floating bearing

The combination of a compensation joint and wall bracket with floating bearings reduces the load on the entire construction when the awning is lowered using the gear handle.

- Rain drains off reliably (no danger of pooling)



## Clever Stretch and OptiStretch versions

**Plaza Viva Stretch:** the well positioned and even fabric creates a cosy atmosphere.

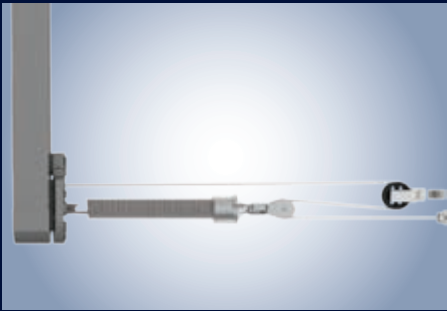
- **Stretch:** held captive on 2 sides, cost effective solution, easy to install

**Plaza Viva OptiStretch:** completely closed all round, ensures a well tensioned fabric without any hanging fabric edges on the side. In very large constructions, it reduces the central sagging of the fabric during extension and retraction.

- **OptiStretch:** held captive on 4 sides, no light gap



## Plaza Viva Benefits



### Reliable tension system – with new quiet flat rope

The tried and tested clamping system is used with the Plaza Viva with a new flat and at the same time tear-resistant rope. The rope winds up extremely quietly over itself instead of side by side. This prevents the rope from bouncing.

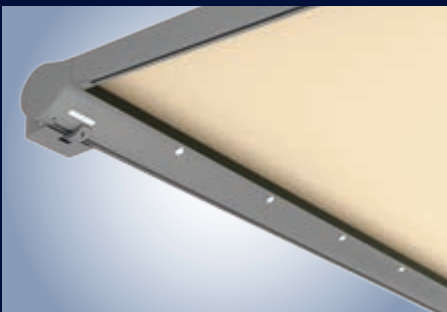
- Long-lasting equalised fabric tautness with pulley block technology
- The flat rope is quiet and tear-resistant, it prevents the rope from twisting and bouncing and does not fray on the sides



### Service opening – convenient access

The opening in the cassette offers easy access to the motor input with BiConnect.

- Easier access to components
- The programming of the drive's end positions is made easier by the service opening
- Decoupling of the wind sensors during maintenance



### HighPower LED spotlights – for an amazingly beautiful atmosphere

The LED spotlights integrated into the cassette produce atmospheric lighting on the patio.

- 30,000 hours of LED lighting with minimal energy consumption
- LED infinitely dimmable using weinor's BiConnect control



### Valance Plus – vertical privacy and sun protection

The Valance Plus is elegantly integrated into the Plaza Viva's front profile. It provides privacy and glare protection even with a low-lying sun.

- Can only be operated by gear handle up to 2100 mm
- Patented OptiFlow-System® to keep fabric ideally positioned and to close the bottom rail safely
- Valance Plus may only be extended and retracted when using a telescopic post if the telescopic post is cranked right up to the top
- Can be combined optionally with the LED Design light bar

02



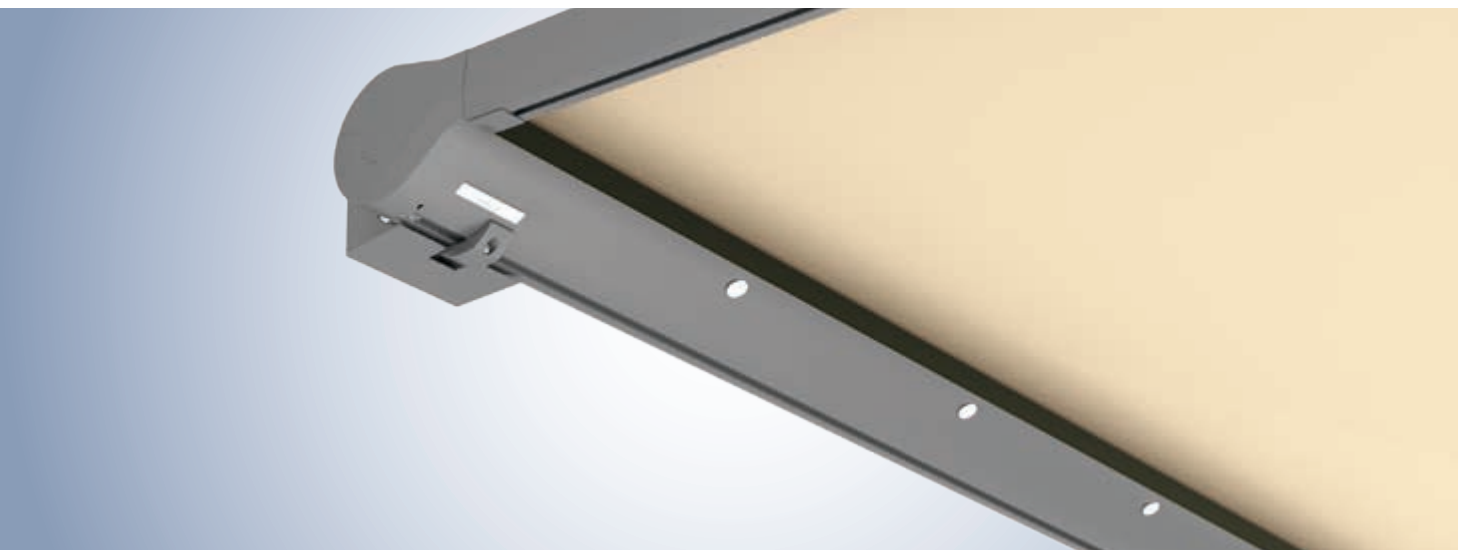
# Plaza Viva Technology

Plaza Viva versions	Plaza Viva Stretch	Plaza Viva OptiStretch	Plaza Viva Stretch LED	Plaza Viva OptiStretch LED
<b>Technology</b>				
Max. width (max. total width for multi-section units: 12 meters, max. 50 m <sup>2</sup> fabric area)	6,000 mm	6,000 mm	6,000 mm	6,000 mm
Max. projection	5,000 mm	5,000 mm	5,000 mm	5,000 mm
Max. fabric area	30 m <sup>2</sup>	30 m <sup>2</sup>	30 m <sup>2</sup>	30 m <sup>2</sup>
Cassette size (w x h)	166 x 325 mm	166 x 325 mm	166 x 325 mm	166 x 325 mm
Motor drive	● as standard	● as standard	● as standard	● as standard
Gear drive	—	—	—	—
Angle of pitch on awning	4° – 25°	4° – 25°	4° – 25°	4° – 25°
Installation alternatives	see installation section		see installation section	
LED lighting (separate spotlights)	—	—	● integrated into the cassette	● integrated into the cassette
<b>Valance Plus option</b>				
Max. width	6,000 mm	6,000 mm	—	—
Max. projection	5,000 mm	5,000 mm	—	—
Motor drive	—	—	—	—
Gear drive	●	●	—	—
Plaza Viva angle of pitch	max. 20°	max. 20°	—	—
Valance Plus projection (h)	1,000, 1,500, 2,100 mm	1,000, 1,500, 2,100 mm	—	—
<b>Accessories</b>				
Fixing materials	see installation section		see installation section	
<b>Controls</b>				
Radio control	○	○	○	○
No remote	fully wired and ready to plug in	fully wired and ready to plug in	fully wired and ready to plug in	fully wired and ready to plug in
<b>Quality</b>				
Tested up to	The Plaza Viva has been tested in the maximum dimensions up to wind force 6 on the Beaufort scale (in accordance with wind resistance class 3) and withstands this load			
Rain class 2 is met	With Plaza Viva with fixed posts from a pitch of 14° With Plaza Viva with telescopic posts from a pitch of 4° with fully lowered post			

● standard ○ optional — unavailable



# Plaza Viva LED



## LED lighting – 30,000 hours of lighting with extremely low energy consumption

The select high-power LED components are patented and represent the very best in weinor quality:

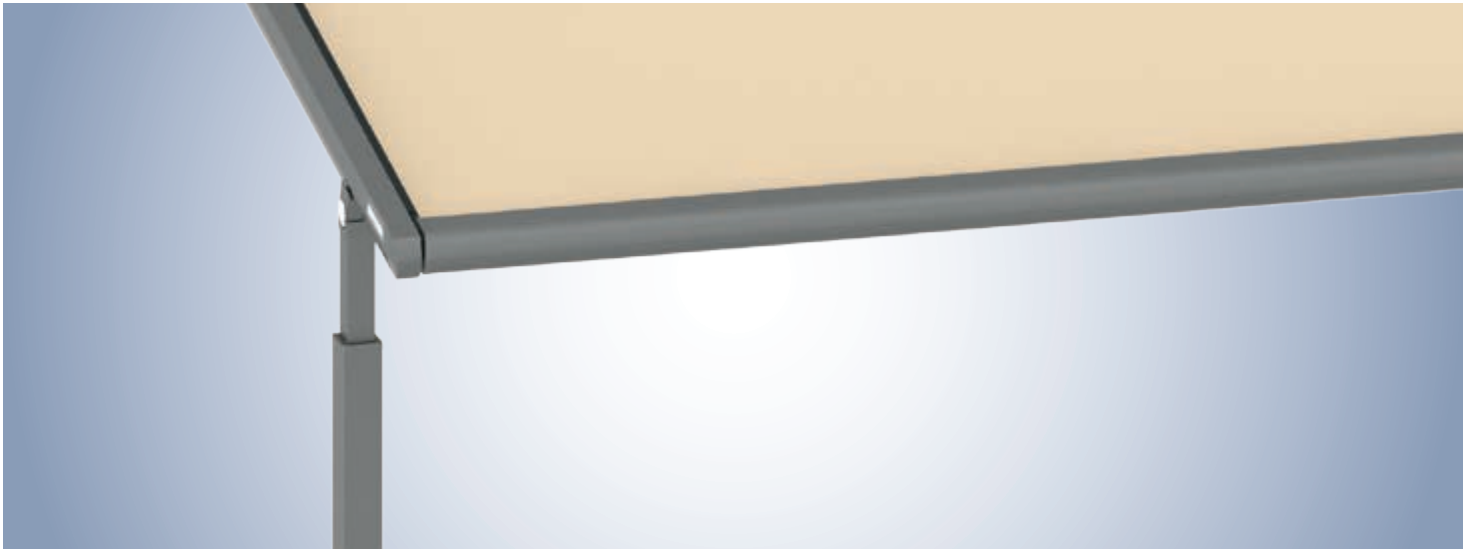
- Integrated into the cassette
- Atmospheric light thanks to special glass lenses
- Lighting remains on even when awning is retracted
- Highly energy-efficient
- Operating life of 30,000 hours
- Infinitely dimmable when used with BiConnect radio control
- Easy to service: simply replace individual LED lights without uninstalling the awning

### Integrated LED lighting

Awning width in cm	Number of separate LED spotlights	Awning width in cm	Number of separate LED spotlights
– 300	5	451 – 500	9
301 – 350	6	501 – 550	10
351 – 400	7	551 – 600	11
401 – 450	8		



# Plaza Viva Telescopic post



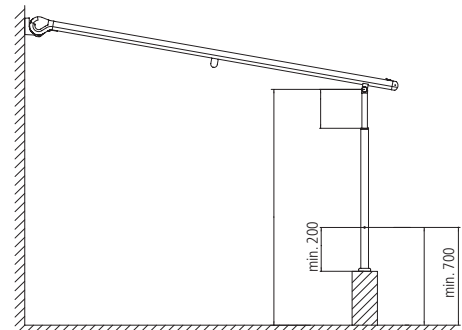
## Telescopic post (optional)

The optional telescopic post can be really easily lowered on one side using the gear handle providing an awning pitch of 4° and fully cranked down post so that rain drains off reliably.

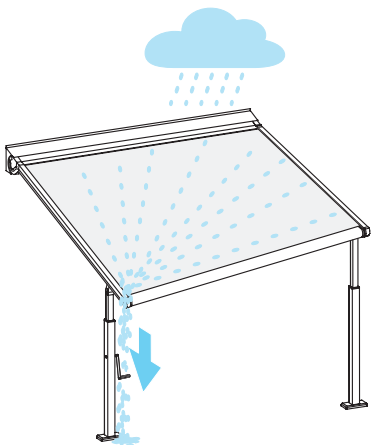
### Important information

- The telescopic post should ideally always be moved into the highest or lowest position as it can only be locked in place there. If it is moved to a position in between it may lower of its own accord because there is no locking in place.
- The construction may only be extended and retracted if the telescopic post is right up the top
- The mounting of telescopic posts on both sides is not recommended as this would cancel out the benefit. It would then only be guaranteed that rain would drain off reliably from a pitch of 14° again.
- 2 telescopic posts are also unsuitable for protection against the low-lying sun as lowering between 150 to 350 mm does not offer sufficient protection. The Valance Plus is ideal for this.

### Gear handle position



Standard gear handle height 900 mm.  
Different gear handle position on request.



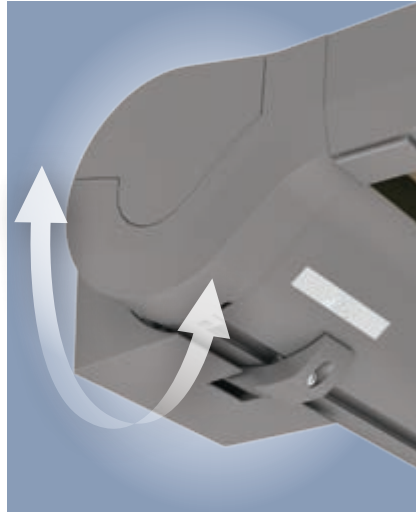
Controlled draining with lowered post.



If the post is not lowered, the water may collect on the Plaza Viva leading to pooling.



## Compensation joint and floating bearing



When lowering the top part of the post using the gear handle, it reduces the load on the construction and it remains inherently stable. The wall bracket with floating bearing and compensation joint on the upper part of the post ensure that the entire awning adapts perfectly to the pitch.

02

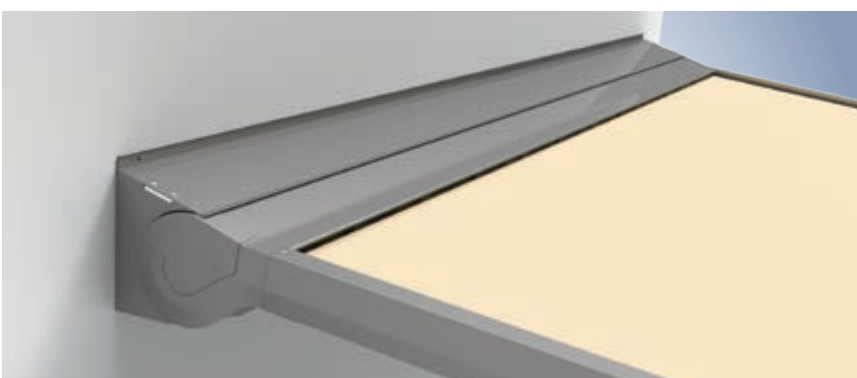
## Paravento (optional)



The Paravento side screen is the perfect complement to the Plaza Viva pergola awning.

- Protects against cool side winds
- Shelters from prying eyes
- Heights of up to 250 cm and projections of up to 400 cm
- Easy to retrofit by attaching it to the Plaza Viva posts, a separate pole or a wall

## Wall sealing profile (optional)



The wall sealing profile conceals the gap between the wall and the cassette. This is a useful option if there is no on-site protection above the cassette, e.g. a roof overhang.



# Plaza Viva Valance Plus



## Valance Plus – more privacy thanks to vertical privacy and sun screen (optional)

The gear handle operated vertical sun protection is integrated elegantly into the Plaza Viva front profile.

- Glare protection and privacy shield up to a maximum valance height of 210 cm
- Only possible with gear drive, only extend and retract the Valance Plus with the telescopic post cranked up
- Valance Plus use up to a Plaza Viva pitch of 4° to 20°.
- Can be combined optionally with the LED Design light bar
- Valance Plus cannot be retrofitted
- With Valance Plus, the fabric support roller is always mounted above the side channel

**Please note:** the Valance Plus should be extended and retracted slowly to guarantee that the fabric winds up neatly.



with gear drive



with retracted Valance Plus

with slightly extended Valance Plus

## Available fabrics for the Valance Plus

	Soltis® 86, 92	Soltis® 86, 92	Acrylic	Perluca		Polyester		Star-Screen	Fibreglass screen		
Pattern	unicolour	unicolour	stripes	unicolour	unicolour	unicolour	unicolour	stripes	unicolour	unicolour	
Roll width	177 cm	267 cm	120 cm	120 cm	240 cm	120 cm	240 cm	120 cm	120 cm	325 cm	max. 320 cm*
Valance length											
100 cm	N	N	L	N	N	N/L	N	L	N	N	N
150 cm	N	N	–	Q	N	Q	N	–	Q	N	N
210 cm	Q	N	–	Q	N	Q	N	–	Q	N	–

N Seamless: seamless fabric; structure of fabric runs crosswise to structure of awning fabric

Q Transverse seam: fabric with transverse seam; either in top or bottom third as desired; structure of fabric runs diagonally to structure of awning fabric

L Longitudinal seam: structure of fabric runs longitudinally to structure of awning fabric

– Not available

\* Max. roll widths are stipulated in the collection brochure

Please note: On the gear-driven Valance Plus, it is possible that the Valance Plus bottom rail will close unevenly.



# Plaza Viva Controls



## Installation location for receiver, power supply pack and further electrical components

The receiver is accommodated in the cassette. The faceplate (not shown here) can be really easily opened for servicing purposes. The receiver is then easily accessible.

① The cover can be opened for servicing purposes, e.g. to disconnect the drive from the control components (only BiConnect).

## weinor BiConnect radio technology

Product	Electronics	BiConnect control	Remote receiver	Transmitter
Plaza Viva	Plaza Viva drive	<ul style="list-style-type: none"> <li>• BiRec receiver integrated into cassette</li> </ul>	BiRec MA-K	<ul style="list-style-type: none"> <li>• BiEasy 1M/5M/15M/15M Go! hand transmitter</li> <li>• App</li> <li>• 1MW-3V wall transmitter</li> </ul>
Plaza Viva LED	Plaza Viva drive and LED lighting	<ul style="list-style-type: none"> <li>• BiRec combi-receiver for main drive and LED spotlights (with integrated power supply pack) integrated into cassette</li> <li>• Dimmable LED</li> </ul>	BiRec MLED	<ul style="list-style-type: none"> <li>• BiEasy 5M/15M/15M Go! hand transmitter</li> <li>• App</li> </ul>
Plaza Viva Valance Plus	Plaza Viva and Valance Plus drive	<ul style="list-style-type: none"> <li>• BiRec combi-receiver for main drive and Valance Plus drive integrated into cassette</li> <li>• Table clearing protection</li> <li>• Gradual soft stop</li> </ul>	BiRec MVLED	<ul style="list-style-type: none"> <li>• BiEasy 5M/15M/15M Go! hand transmitter</li> <li>• App</li> </ul>
Plaza Viva LED Valance Plus	Plaza Viva and Valance Plus drive and LED lighting	<ul style="list-style-type: none"> <li>• BiRec combi-receiver for main drive, Valance Plus drive and LED spotlights (with integrated power supply pack) integrated into cassette</li> <li>• Dimmable LED</li> <li>• Table clearing protection</li> <li>• Gradual soft stop</li> </ul>	BiRec MVLED	<ul style="list-style-type: none"> <li>• BiEasy 5M/15M/15M Go! hand transmitter</li> <li>• App</li> </ul>
Accessories (optional)	Tempura/Tempura Quadra heating system	<ul style="list-style-type: none"> <li>• Dimmable, additional receiver required</li> <li>• Installation of the receiver in the design bar provided for this purpose or the Tempura Quadra box</li> </ul>	BiRec HD	<ul style="list-style-type: none"> <li>• BiEasy 5M/15M/15M Go! hand transmitter</li> <li>• App</li> </ul>

Note: Plaza Viva Valance Plus is only available with gear drive and cannot be combined with the LED version

**i** We do not recommend any sensors when using telescopic posts and/or the Valance Plus. Nevertheless, if sensors are used, the Valance Plus or telescopic posts may only be used if the sensors are switched to manual operation.



## Plaza Viva Controls

### Somfy RTS radio technology

Product	Electronics	Somfy RTS control	Remote receiver	Transmitter
Plaza Viva	Plaza Viva drive	<ul style="list-style-type: none"> <li>Somfy RTS remote-controlled motor integrated into cassette</li> </ul>	Somfy RTS remote-controlled motor	<ul style="list-style-type: none"> <li>Telis 1 RTS Pure/Telis 1 Soliris RTS Pure/Telis 4 RTS Pure/Telis 4 Soliris RTS Pure hand transmitter</li> <li>Smooove 1 wall transmitter</li> </ul>
Plaza Viva LED	Plaza Viva drive and LED lighting	<ul style="list-style-type: none"> <li>Somfy RTS remote-controlled motor integrated into cassette</li> <li>Additional Somfy receiver for the LED spotlights (with downstream power supply pack) integrated into cassette</li> <li>LED not dimmable</li> </ul>	Somfy RTS remote-controlled motor and Lighting Slim Receiver RTS	<ul style="list-style-type: none"> <li>Telis 4 RTS Pure/Telis 4 Soliris RTS Pure hand transmitter</li> </ul>
Plaza Viva Valance Plus	Plaza Viva and Valance Plus drive	<ul style="list-style-type: none"> <li>Somfy RTS remote-controlled motor integrated into cassette</li> <li>Additional Somfy receiver for Valance Plus drive integrated into cassette</li> <li>No retraction protection in windy conditions</li> </ul>	Somfy RTS remote-controlled motor and Universal Receiver RTS	<ul style="list-style-type: none"> <li>Telis 4 RTS Pure/Telis 4 Soliris RTS Pure hand transmitter</li> </ul>
Plaza Viva LED Valance Plus	Plaza Viva and Valance Plus drive and LED lighting	<ul style="list-style-type: none"> <li>Additional Somfy receiver for Valance Plus drive and LED spotlights (with downstream power supply pack) integrated into cassette</li> <li>LED not dimmable</li> <li>No retraction protection in windy conditions</li> </ul>	Somfy RTS remote-controlled motor, Universal Receiver RTS and Lighting Slim Receiver RTS	<ul style="list-style-type: none"> <li>Telis 4 RTS Pure/Telis 4 Soliris RTS Pure hand transmitter</li> </ul>
Accessories (optional)	Tempura/Tempura Quadra heating system	<ul style="list-style-type: none"> <li>Not dimmable, additional receiver required</li> <li>Installation of the receiver in the design bar provided for this purpose or the Tempura Quadra box</li> </ul>	Heating Slim Receiver RTS Plug	<ul style="list-style-type: none"> <li>Telis 4 RTS Pure/Telis 4 Soliris RTS Pure hand transmitter</li> </ul>

### Somfy io-homecontrol® radio technology

Product	Electronics	Somfy io-homecontrol control	Remote receiver	Transmitter
Plaza Viva	Plaza Viva drive	<ul style="list-style-type: none"> <li>Somfy io remote-controlled motor integrated into cassette</li> </ul>	Somfy io remote-controlled motor	<ul style="list-style-type: none"> <li>Situo 1 io Pure/Situo 5 io Pure/Easy Sun io Pure Shine hand transmitter</li> <li>Smooove 1 io Pure Shine wall transmitter</li> </ul>
Plaza Viva LED	Plaza Viva drive and LED lighting	<ul style="list-style-type: none"> <li>Somfy io remote-controlled motor integrated into cassette</li> <li>Additional Somfy receiver for the LED spotlights (with downstream power supply pack) integrated into cassette</li> <li>LED not dimmable</li> </ul>	Somfy io remote-controlled motor and Lighting Receiver io	<ul style="list-style-type: none"> <li>Situo 5 io Pure/Easy Sun io Pure Shine hand transmitter</li> </ul>
Plaza Viva Valance Plus*	Plaza Viva and Valance Plus drive	<ul style="list-style-type: none"> <li>Not possible with Somfy io control</li> </ul>	Somfy io remote-controlled motor and Lighting Receiver io	
Plaza Viva LED Valance Plus*	Plaza Viva and Valance Plus drive and LED lighting	<ul style="list-style-type: none"> <li>Not possible with Somfy io control</li> </ul>	Somfy io remote-controlled motor and Lighting Receiver io	
Accessories (optional)	Tempura/Tempura Quadra heating system	<ul style="list-style-type: none"> <li>Not possible with Somfy io control</li> </ul>		

- Only available with gear drive



#### Note:

Please see the "Accessories" technical brochure for further details regarding the drive and control.

Some options are subject to a surcharge. For prices, please refer to the weinor awnings price list.



## Hard wired with Somfy control

Product	Electronics	Hard wired Somfy control	Control
Plaza Viva	Plaza Viva drive	<ul style="list-style-type: none"> <li>Somfy control for awning drive</li> </ul>	e.g. Soliris Smoove Uno
Plaza Viva LED	Plaza Viva drive and LED lighting	<ul style="list-style-type: none"> <li>Somfy control for awning drive</li> <li>Switch on site for the LED spotlights</li> <li>LED power supply pack integrated into the cassette</li> <li>LED not dimmable</li> </ul>	e.g. Soliris Smoove Uno and suitable light switch (on site)
Plaza Viva Valance Plus	Plaza Viva and Valance Plus drive	<ul style="list-style-type: none"> <li>Somfy control for awning drive</li> <li>Switch on site for the Valance Plus drive</li> <li>No retraction protection in windy conditions</li> </ul>	e.g. Soliris Smoove Uno and suitable double rocker switch (on site)
Plaza Viva LED Valance Plus	Plaza Viva and Valance Plus drive and LED lighting	<ul style="list-style-type: none"> <li>Somfy control for awning drive</li> <li>Switch on site for the Valance Plus drive</li> <li>No retraction protection in windy conditions</li> <li>Switch on site for the LED spotlights</li> <li>LED power supply pack integrated into the cassette</li> <li>LED not dimmable</li> </ul>	e.g. Soliris Smoove Uno, and suitable double rocker switch and light switch (on site)
Accessories (optional)	Tempura/Tempura Quadra heating system	<ul style="list-style-type: none"> <li>Not dimmable</li> </ul>	Suitable switch (on site)

02

## Hard wired (existing switch/power supply on site)

Product	Electronics	Hard wired control	Control
Plaza Viva	Plaza Viva drive	<ul style="list-style-type: none"> <li>Awning switch for the awning drive</li> </ul>	e.g. double rocker switch switch (on site)
Plaza Viva LED	Plaza Viva drive and LED lighting	<ul style="list-style-type: none"> <li>Awning switch for the awning drive</li> <li>Switch on site for the LED spotlights</li> <li>LED power supply pack integrated into the cassette</li> <li>LED not dimmable</li> </ul>	e.g. double rocker switch and suitable light switch (on site)
Plaza Viva Valance Plus	Plaza Viva and Valance Plus drive	<ul style="list-style-type: none"> <li>Awning switch for the awning drive</li> <li>Switch on site for the Valance Plus drive</li> <li>No retraction protection in windy conditions</li> </ul>	e.g. 2 double rocker switches (on site)
Plaza Viva LED Valance Plus	Plaza Viva and Valance Plus drive and LED lighting	<ul style="list-style-type: none"> <li>Awning switch for the awning drive</li> <li>Switch on site for the Valance Plus drive</li> <li>No retraction protection in windy conditions</li> <li>Switch on site for the LED spotlights</li> <li>LED power supply pack integrated into the cassette</li> <li>LED not dimmable</li> </ul>	e.g. 2 double rocker switches and suitable light switch (on site)
Accessories (optional)	Tempura/Tempura Quadra heating system	<ul style="list-style-type: none"> <li>Not dimmable</li> </ul>	Suitable switch (on site)

### Power supply pack for option LED (hard wired)



Power supply pack for LED option

The power supply pack provides the voltage and current intensity required to operate the LED. It is only necessary for the LED option.

Product	Position of the power supply pack
Plaza Viva LED Plaza Viva LED OptiStretch	<ul style="list-style-type: none"> <li>In the cassette</li> </ul>
Plaza Viva Plaza Viva OptiStretch	<ul style="list-style-type: none"> <li>No power supply pack necessary</li> </ul>



### Installation location for power supply pack for option LED

The power supply pack is located in the cassette and is easily accessible. The installation location is not required for drives without LED options and remains empty.



# Plaza Viva Stretch/OptiStretch

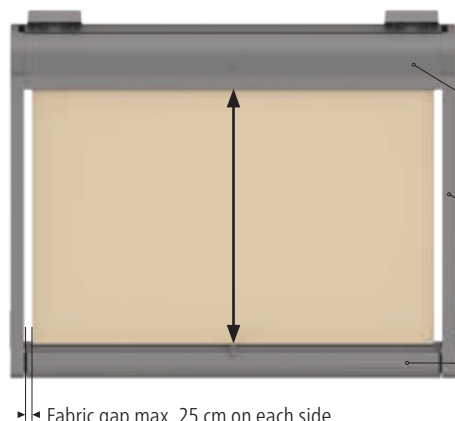
## The Stretch and OptiStretch system in comparison



The Plaza Viva Stretch and OptiStretch consist of identical frame constructions and use the same tried and tested weinor clamping system with a new flat rope that winds up extremely quietly. The fabric guide is the difference between the two systems.

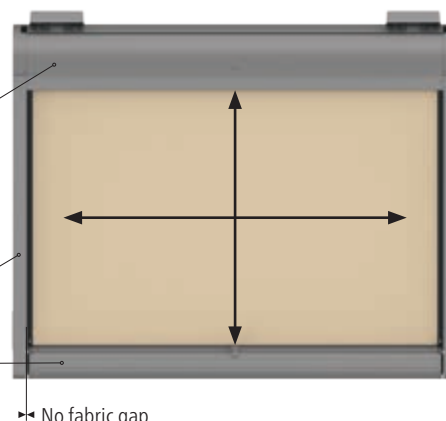
In the Stretch System, the fabric is tensioned between the fabric roller bearing and the front profile in the ascending direction, while in the OptiStretch, the fabric is additionally guided sideways in the guide rail. The OptiStretch thus achieves a significantly higher degree of fabric tensioning.

### The Stretch system

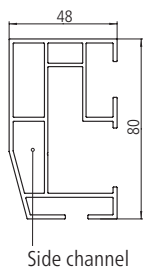


Fabric gap max. 25 cm on each side

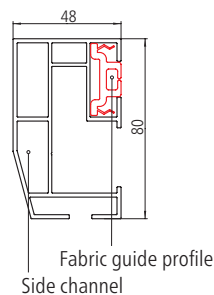
### The OptiStretch system



No fabric gap



Side channel



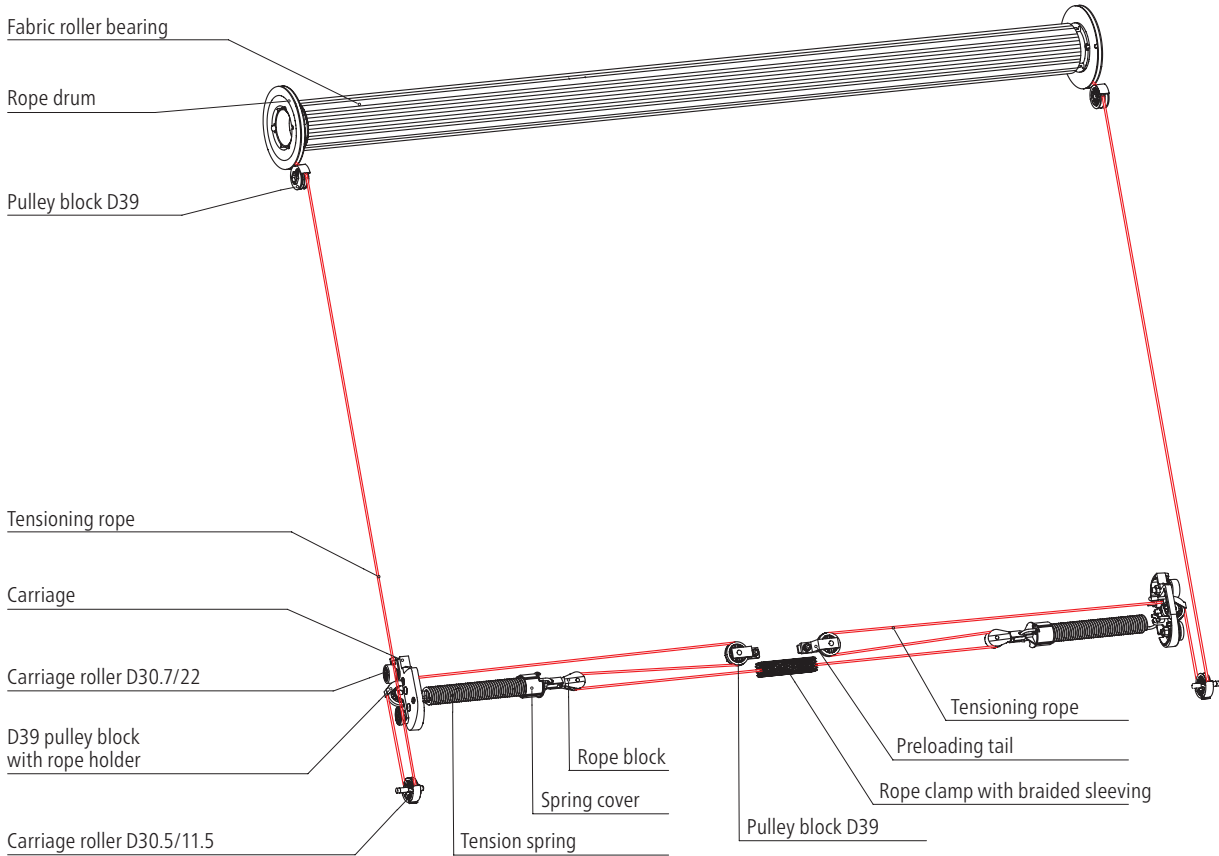
Fabric guide profile  
Side channel

- Held captive on 2 sides
- Cost-effective solution
- Easy installation
- Fabric gap up to 25 mm
- Good fabric tension also for Soltis® fabrics

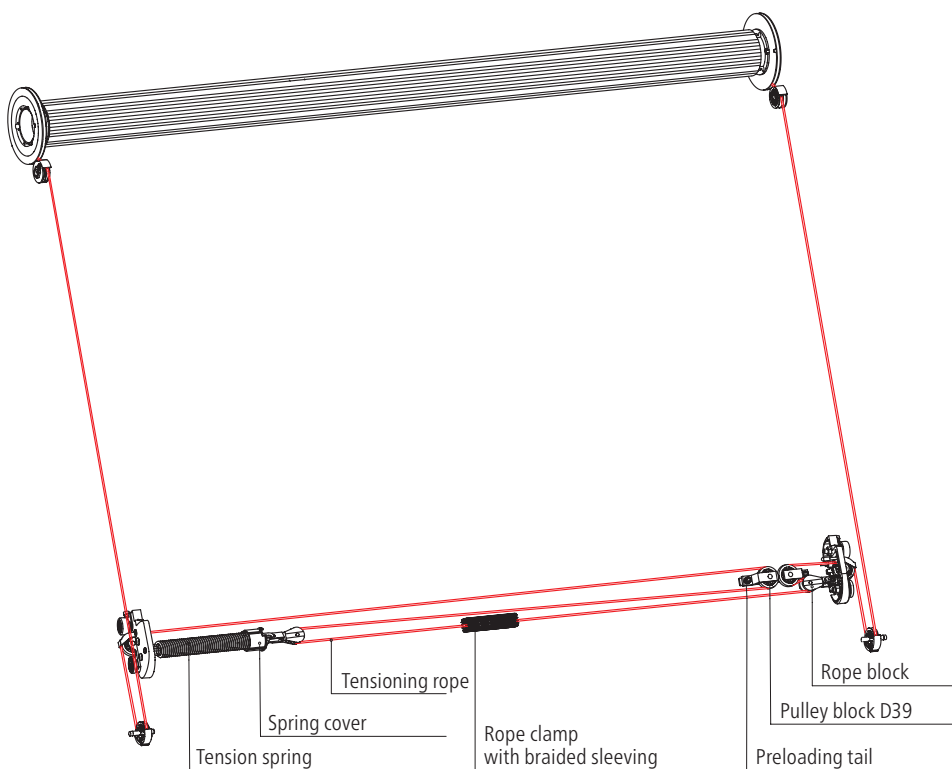
- Held captive on 4 sides
- No edges hanging down the sides
- No light gap
- Soltis® fabrics are not available for the OptiStretch version

Fabric tensioning technology Rope clamping system

Tension system with 2 tensioned springs (number of springs depends on the projection and width)



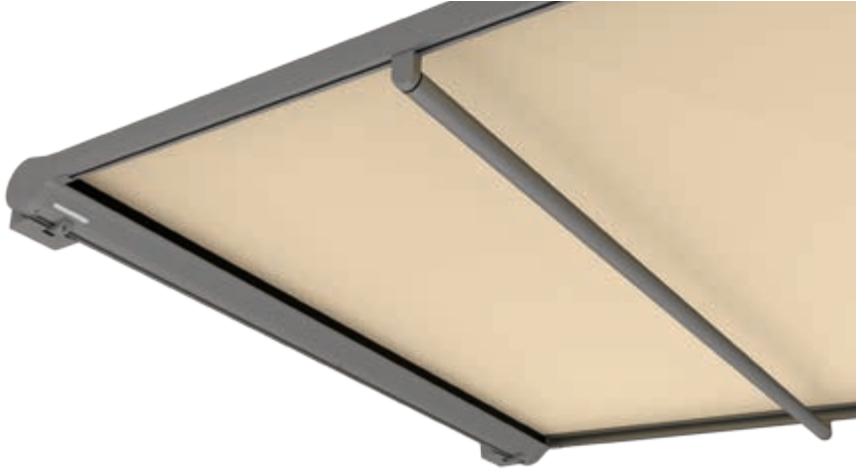
Tension system with 1 tensioned spring (depends on projection and length of spring)



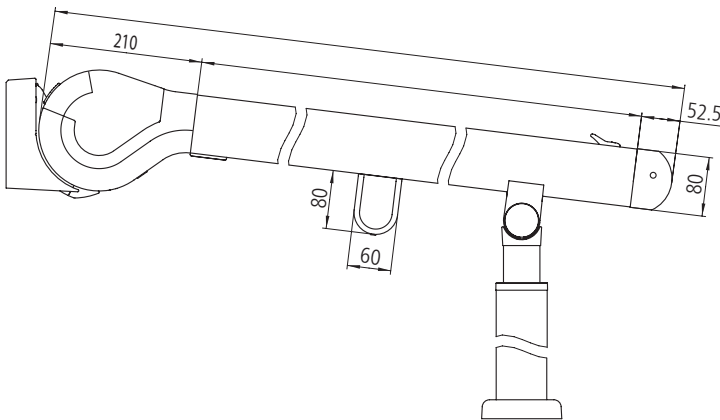


# Plaza Viva Planning

## Use of fabric support roller at bottom



A fabric support roller is used at the bottom as standard with a projection > 4000 mm. With locations exposed to winds we recommend using additional fabric roller supports (option). The fabric support rollers can be retrofitted at any time without too much effort.

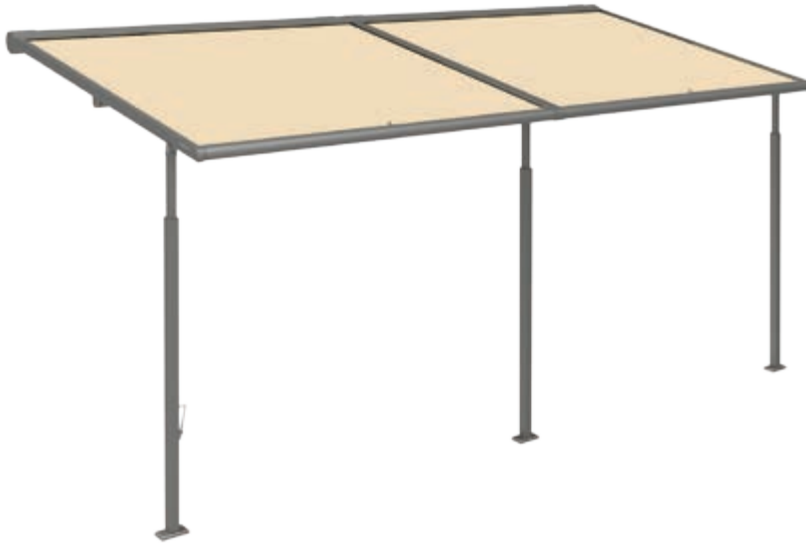


## Use of fabric support roller at top (with Valance Plus option)



With the Valance Plus option the fabric support roller (from a projection > 4000 mm) is fitted at the top as standard.

Multi-section units



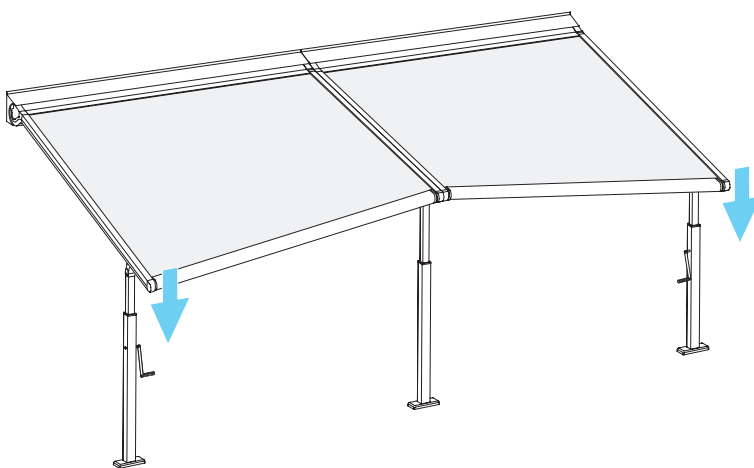
The maximum size of a Plaza Viva is 6,000 x 5,000 mm. Wider systems can be extended easily to become a multi-section unit by placing single-unit systems next to each other, the total width for multi-section units is 12 meters, max. 50 m<sup>2</sup> fabric area (see table below).

The single-unit systems installed next to each other have a separate motor drive and can thus be retracted and extended separately. The telescopic post can only be used on the right and left but not in the centre.

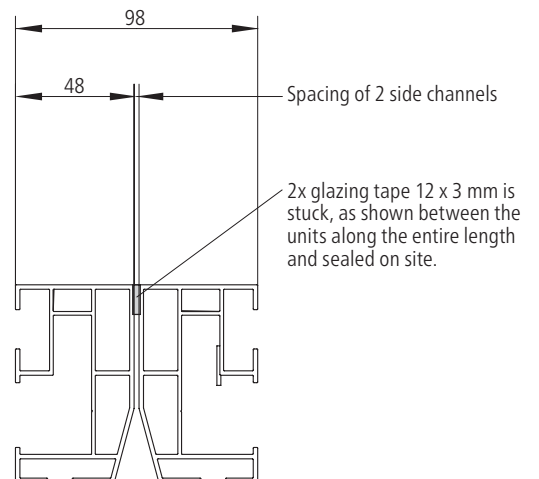
Fabric area Plaza Viva multi-section units

Projection in cm	Width in cm											
	650	700	750	800	850	900	1,000	1,050	1,100	1,150	1,200	
200												
250												
300												
350												
400											46 m <sup>2</sup>	48 m <sup>2</sup>
450								47.25 m <sup>2</sup>	49.5 m <sup>2</sup>			
500							50 m <sup>2</sup>					

producible



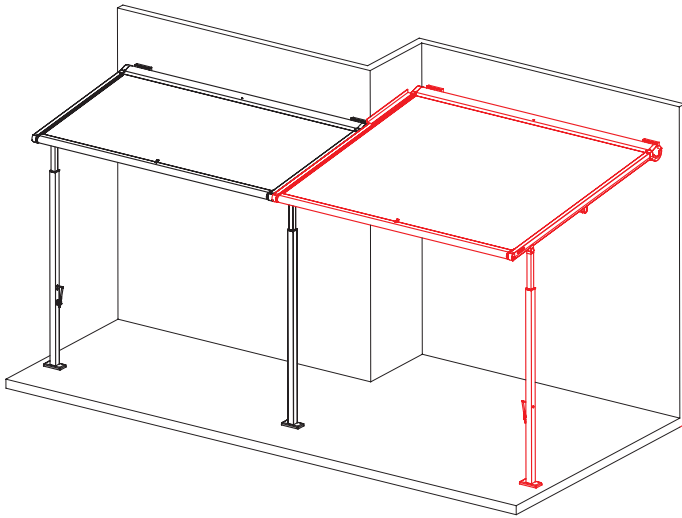
Multi-section unit with telescopic post on right and left



Sealing multi-section units

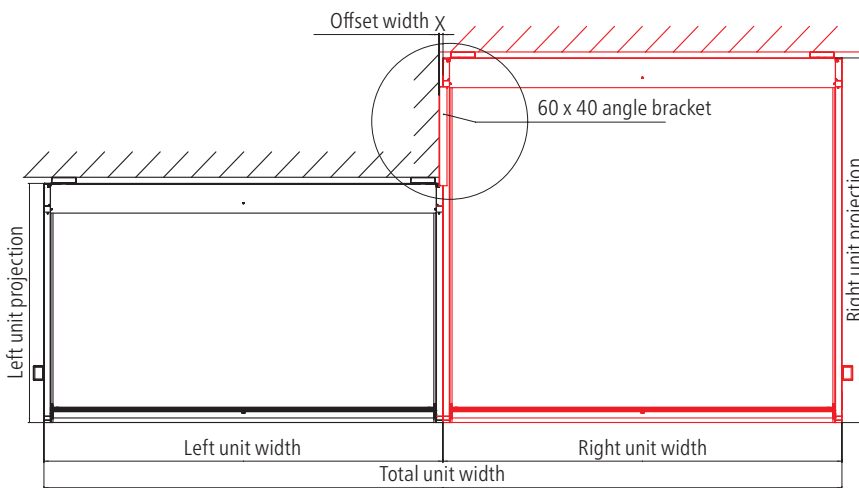


Multi-section units with wall offset

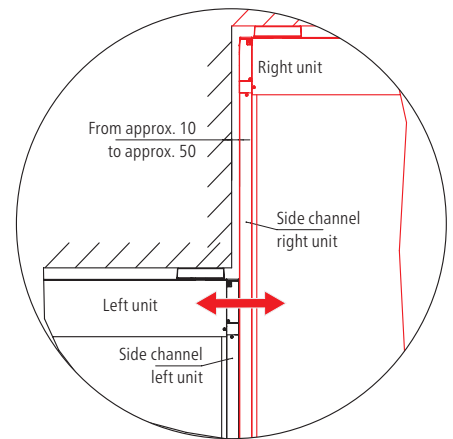


Multi-section unit with offset (profile view)

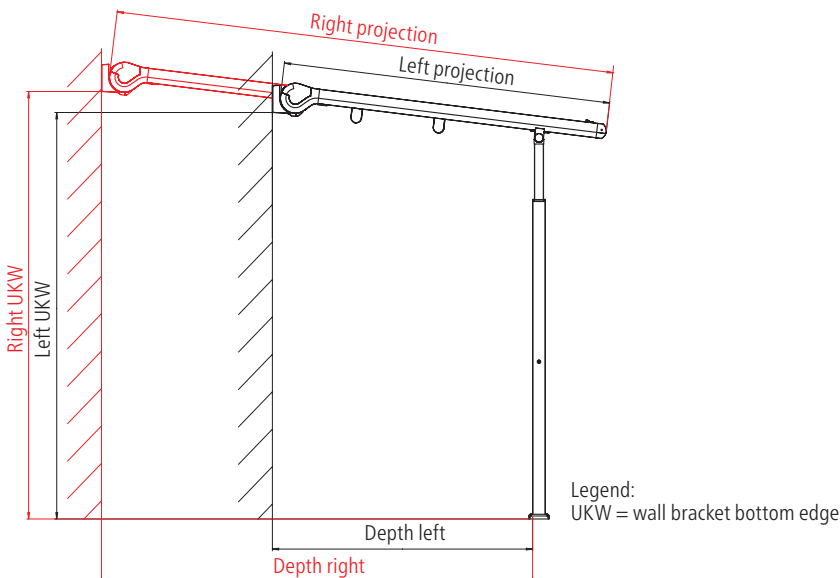
On request, various offset versions can be produced (e.g. wall offset).



Multi-section unit with offset (top view)



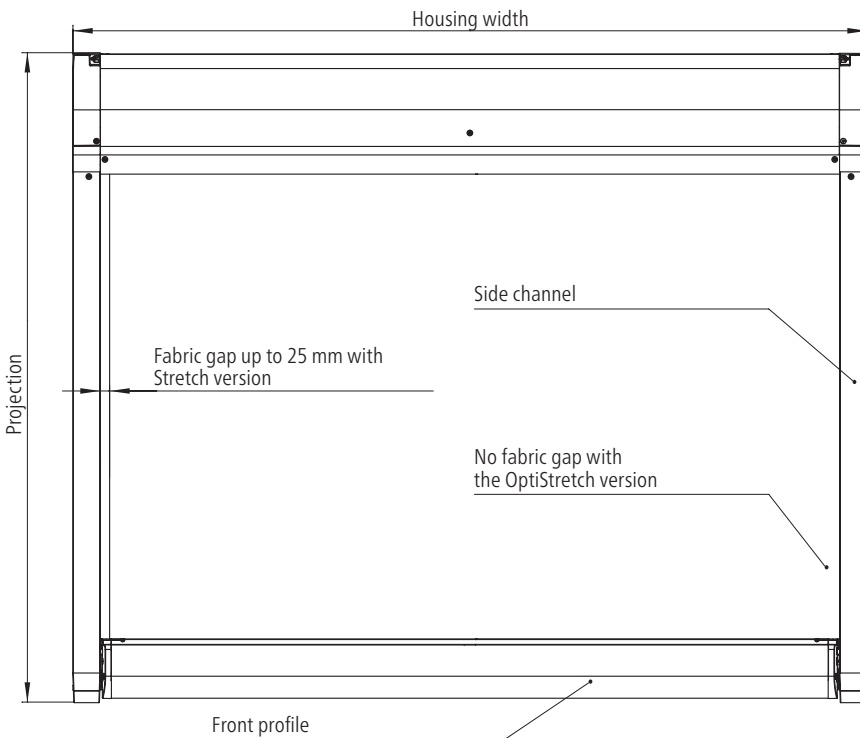
The gap (10-50 mm) between the wall offset and unit can optionally be covered with a bracket.



Multi-section unit with offset (profile view)

The gap between the wall and cassette can also optionally be covered with a wall sealing profile.

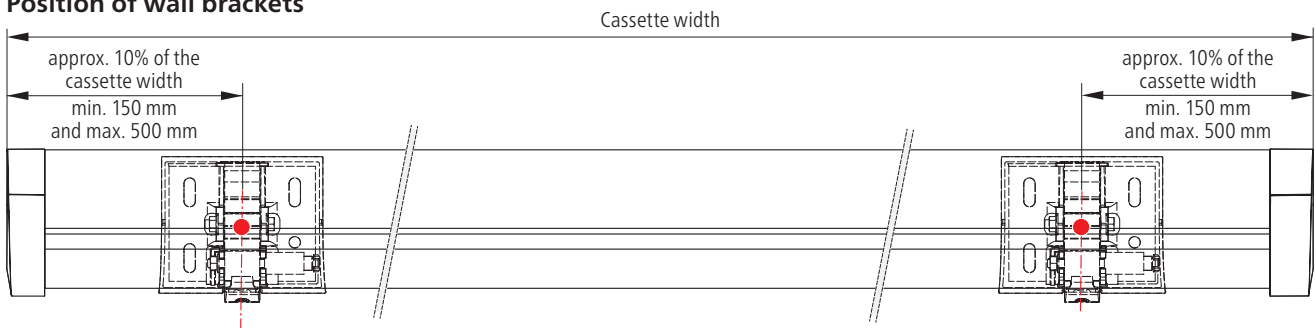
General view



**Top view of Plaza Viva Stretch**  
 The fabric gap at the side is up to 25 mm in the Stretch version, depending on the cassette width and the projection.

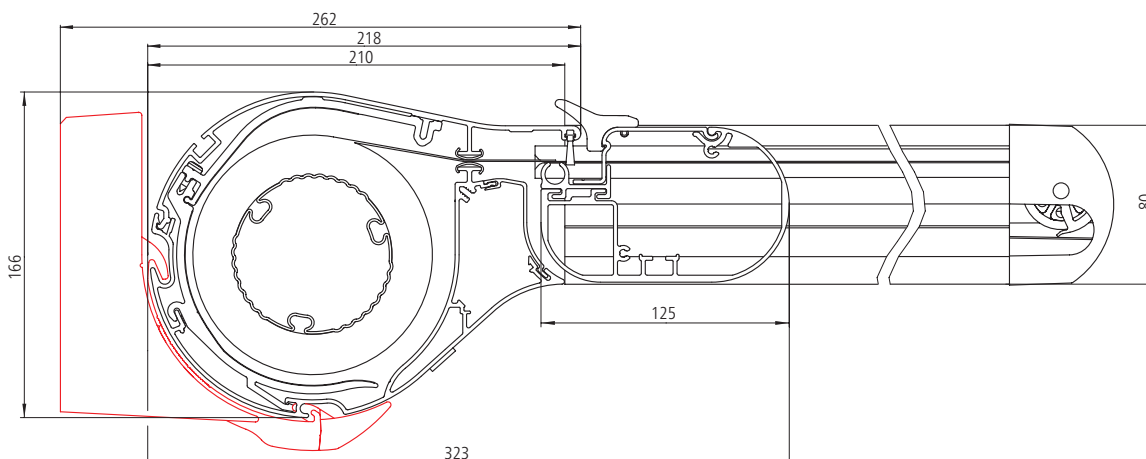
There is no fabric gap in the OptiStretch version.

Position of wall brackets



Plaza Viva cross-section

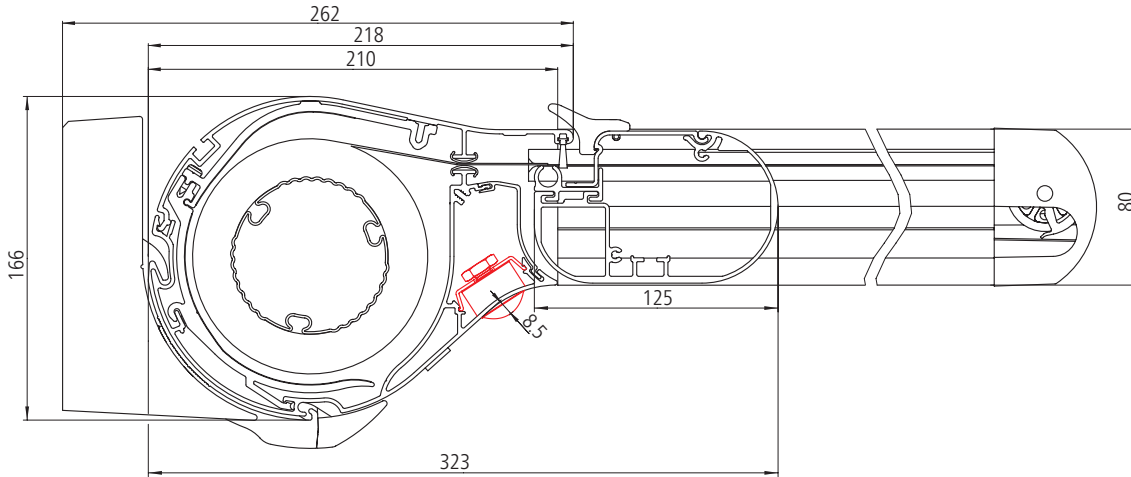
Plaza Viva cross sections and dimensions



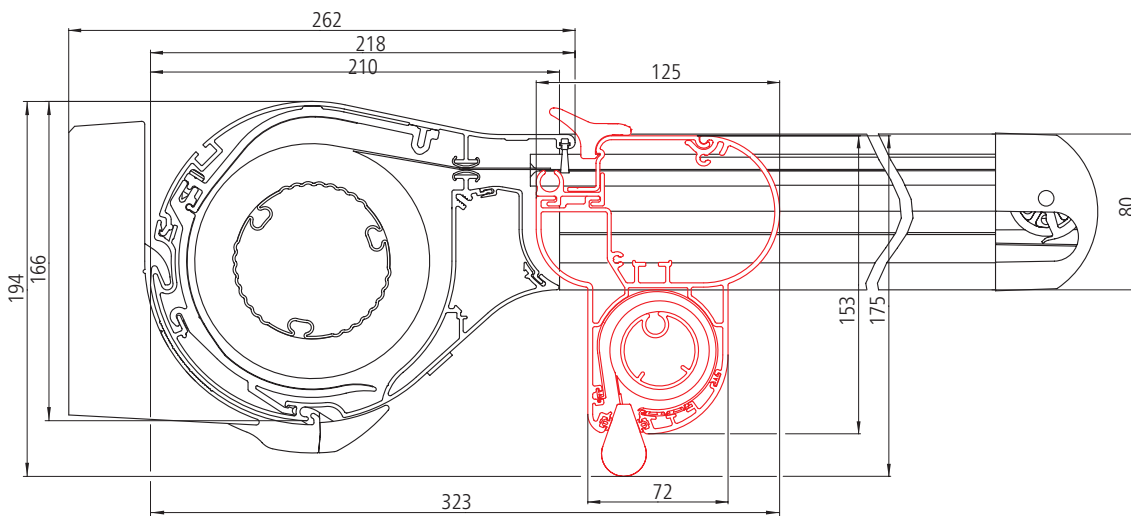


## Cross-sections

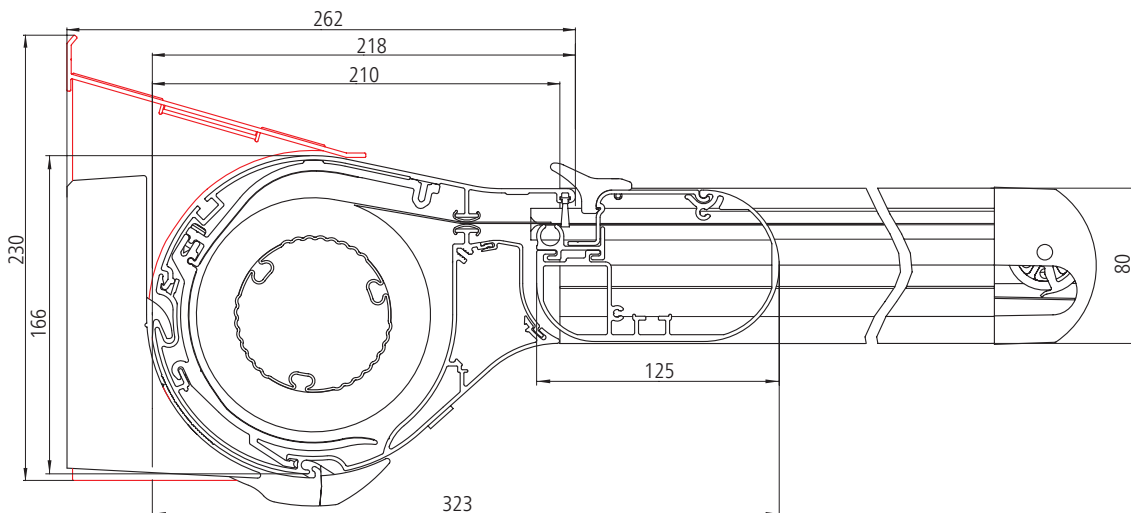
### Plaza Viva LED cross sections and dimensions



### Plaza Viva Valance Plus cross sections and dimensions



### Plaza Viva with wall connection roof cross sections and dimensions



## Determining dimensions

The patio depth (T) and projection (B) as well as installation height and delta using the example of the angle of pitch 4°, 5°, 10°, 14°, 20° and 25° can be determined using the following tables.

### Fixed post: determining the patio depth (T) and projection (B)

#### Determining the patio depth (T) (up to inside edge of post)

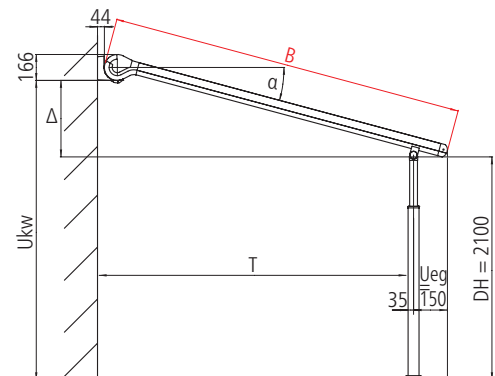
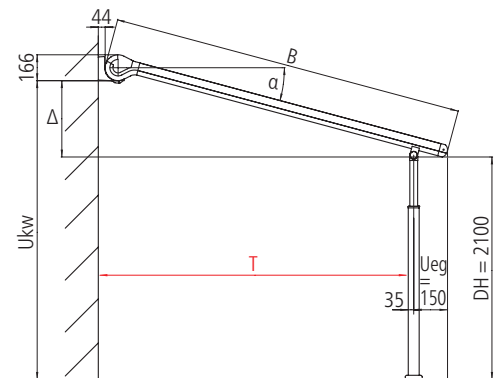
Angle of pitch (α)	Projection B (in mm)					
	2500	3000	3500	4000	4500	5000
4°	2355	2854	3353	3851	4350	4849
5°	2352	2850	3348	3846	4344	4842
10°	2326	2819	3311	3804	4296	4788
14°	2294	2779	3265	3750	4235	4720
20°	2224	2693	3163	3633	4103	4573
25°	2146	2599	2923	3506	3959	4412

Patio depth (T) in mm (rounded figures)

#### Determining the projection (B)

Angle of pitch (α)	Patio depth (T) in mm					
	2500	3000	3500	4000	4500	5000
4°	2645	3147	3648	4149	4650	
5°	2649	3151	3653	4155	4657	
10°	2676	3184	3692	4200	4707	
14°	2712	3227	3743	4258	4773	
20°	2794	3326	3859	4391	4923	
25°	2890	3442	3994	4546		

Projection (B) in mm (rounded figures)



### Telescopic post: determining the patio depth (T) and projection (B)

#### Determining the patio depth (T) (up to inside edge of post)

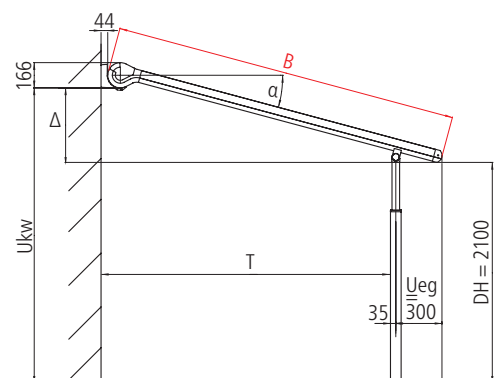
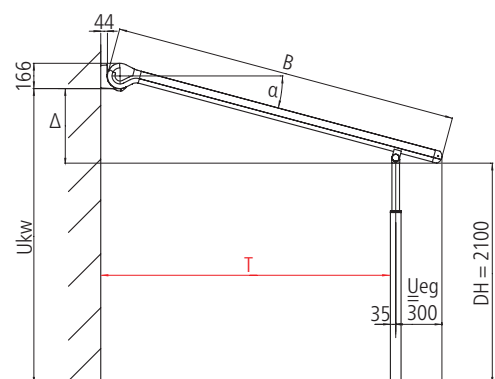
Angle of pitch (α)	Projection B (in mm)					
	2500	3000	3500	4000	4500	5000
4°	2225	2724	3223	3721	4220	4719
5°	2222	2720	3218	3716	4214	4712
10°	2196	2689	3181	3674	4166	4658
14°	2164	2649	3135	3620	4105	4590
20°	2094	2563	3033	3503	3973	4443
25°	2016	2469	2923	3376	3829	4282

Patio depth (T) in mm (rounded figures)

#### Determining the projection (B)

Angle of pitch (α)	Patio depth (T) in mm					
	2500	3000	3500	4000	4500	5000
4°	2776	3277	3778	4279	4781	
5°	2779	3281	3783	4285	4787	
10°	2808	3316	3824	4332	4839	
14°	2846	3361	3877	4392	4907	
20°	2933	3465	3997	4529		
25°	3034	3586	4137	4689		

Projection (B) in mm (rounded figures)





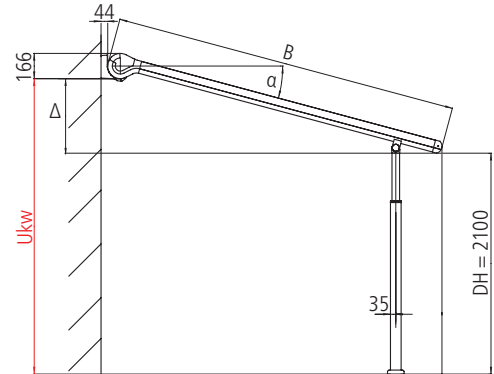
# Determining dimensions

## Determining the installation height (Ukw) and delta (Δ)

### Determining the patio depth (T) (up to inside edge of post)

Angle of pitch (α)	Projection B (in mm)					
	2500	3000	3500	4000	4500	5000
4°	2202	2237	2272	2307	2342	2377
5°	2244	2288	2332	2375	2419	2462
10°	2452	2539	2625	2712	2799	2886
14°	2615	2736	2857	2978	3099	3220
20°	2854	3025	3196	3367	3539	3710
25°	3047	3258	3470	3681	3892	4104

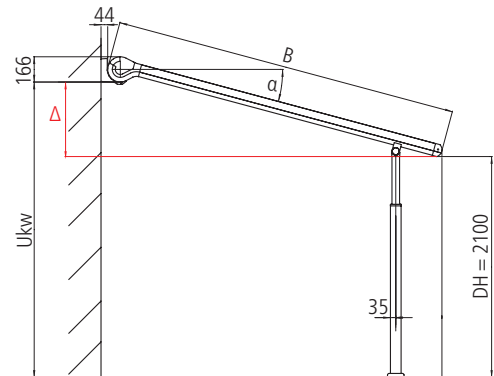
Wall bracket bottom edge installation height (Ukw) in mm (rounded figures)



### Determining the delta: difference between the wall bracket bottom edge (Ukw) and head clearance height (DH)

Angle of pitch (α)	Projection B (in mm)					
	2500	3000	3500	4000	4500	5000
4°	102	137	172	207	242	277
5°	144	188	232	275	319	362
10°	352	439	612	612	699	786
14°	515	636	878	878	999	1120
20°	754	925	1267	1267	1439	1610
25°	947	1158	1370	1581	1792	2004

Delta (Δ) in mm (rounded figures)

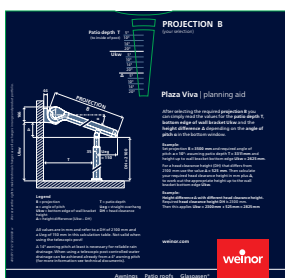
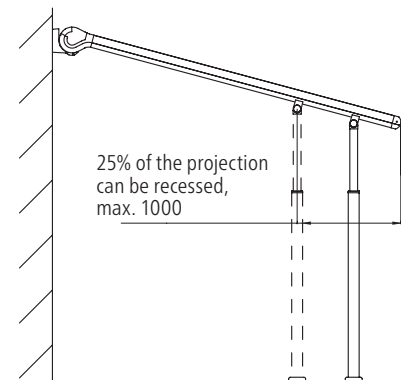


## Recess measurement

The posts can be recessed by up to approx. 25% of the projection and a maximum of 1000 mm. Installation tolerances are specified made-to-order on the installation sheet.

### Important:

- Plaza Viva with fixed post: there is no risk of pooling from a pitch of 14°
- Plaza Viva with telescopic post: there is no risk of pooling from a pitch of 4° and with fully lowered post
- The Plaza Viva with fixed posts complies with rain class 2 from a pitch of 14°
- With telescopic posts it already complies with rain class 2 from a pitch of 4° with fully lowered telescopic post



### The Plaza Viva planning aid

Using the clever planning aid you can easily calculate the installation height, pitch and delta value for the height difference between the wall bracket bottom edge and front profile head clearance height by specifying the projection or patio depth you want.

### Legend:

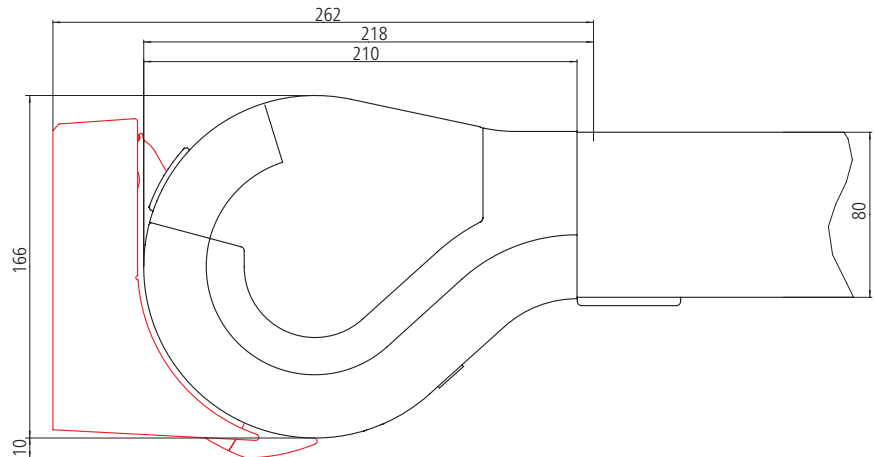
- B = projection
- α = angle of inclination (roof pitch)
- Ukw = wall bracket bottom edge
- Δ = height difference (Ukw – DH)
- T = patio depth
- Ueg = straight overhang
- DH = head clearance height

# Plaza Viva Installation

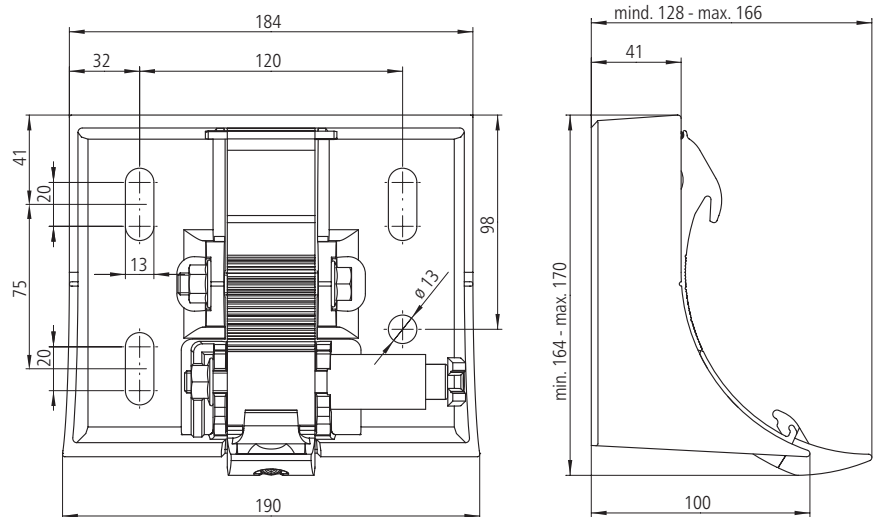
## Wall mounting



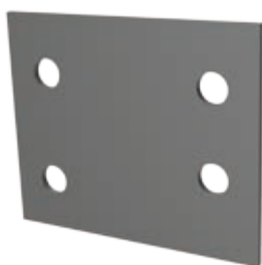
Wall bracket



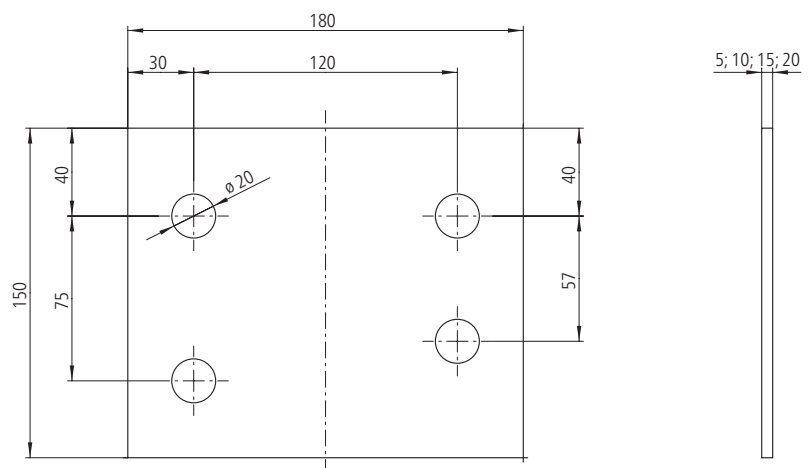
Wall bracket (fixed view)



Wall bracket (floating view)



Wall bracket base plate





# Plaza Viva Installation

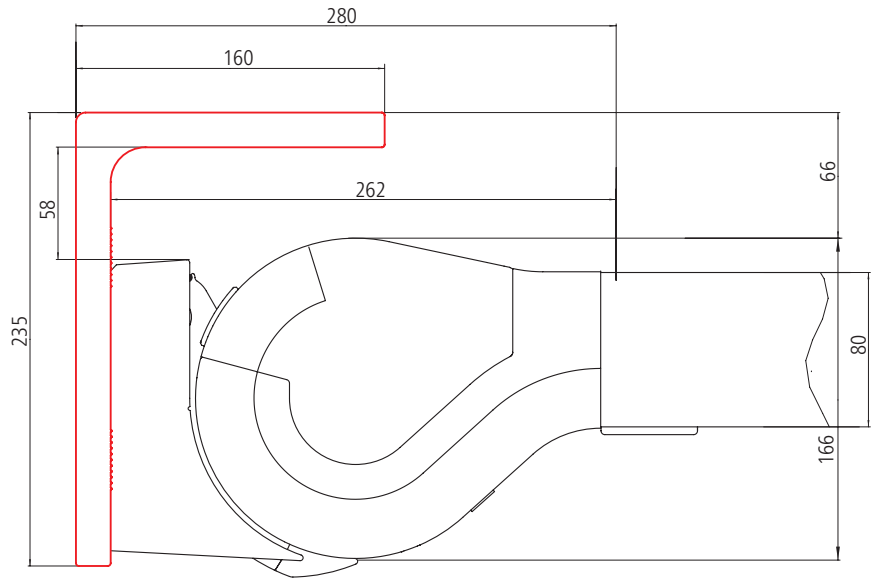
## Ceiling mounting



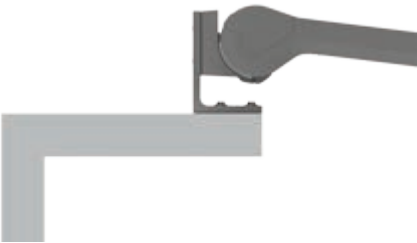
235 x 160 x 18 x 180 mm roof mounting with angle bracket, complete



235 x 160 x 18 x 180 mm angle bracket, complete (roof mounting)



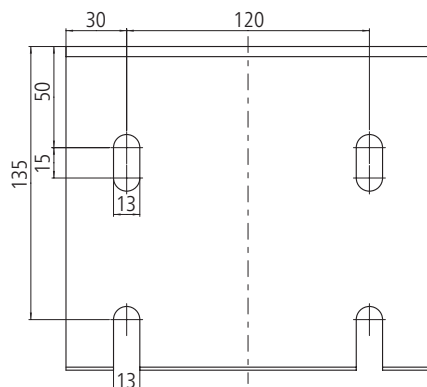
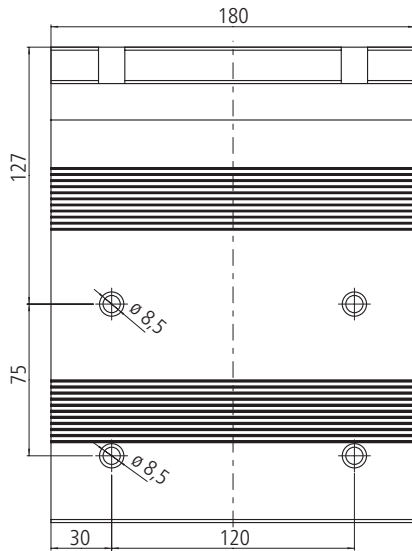
Ceiling angle



Possible use on roof



Front and rear installation option for ceiling bracket



Rafter mounting



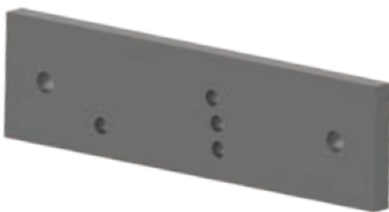
Rafter bracket



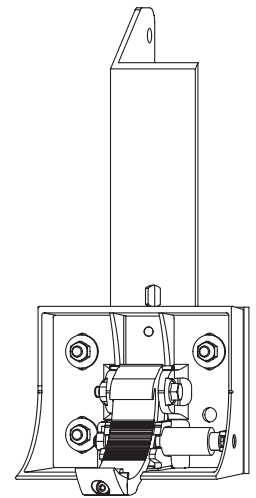
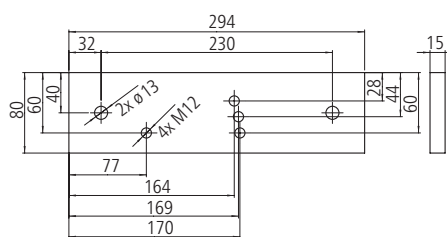
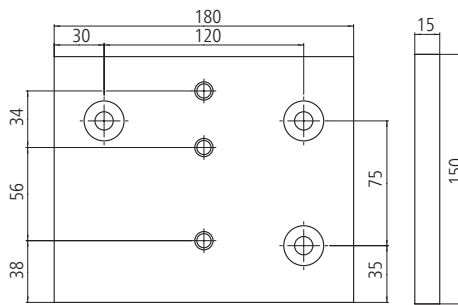
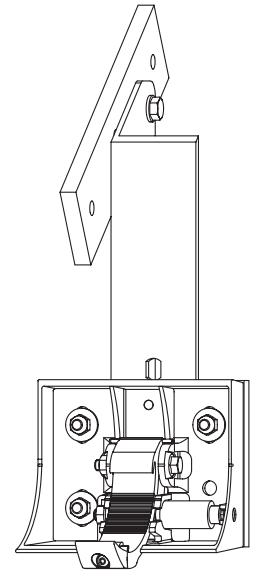
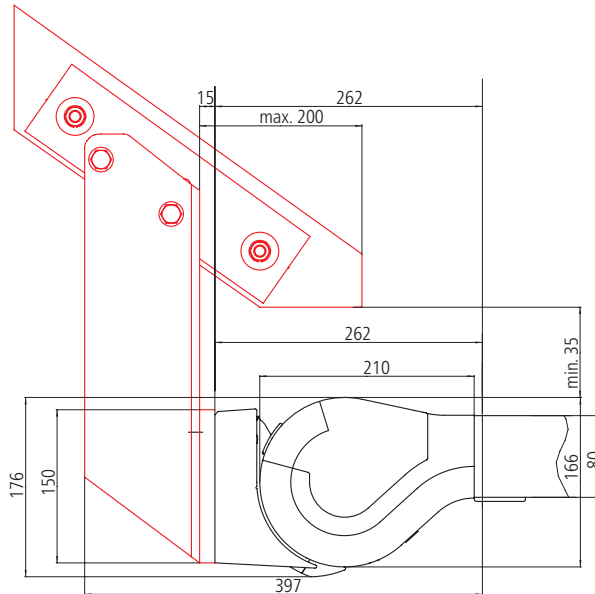
Rafter bracket with mounting plate and wall bracket



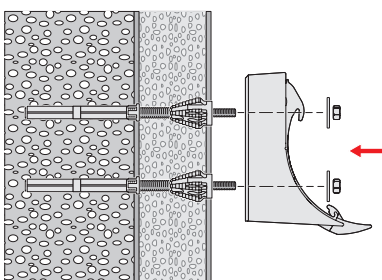
Adaptor plate for rafter bracket  
180 x 150 x 15 mm



Mounting plate for rafter bracket  
294 x 80 x 15 mm



Installation on insulated facades using Fischer Thermax 12/16

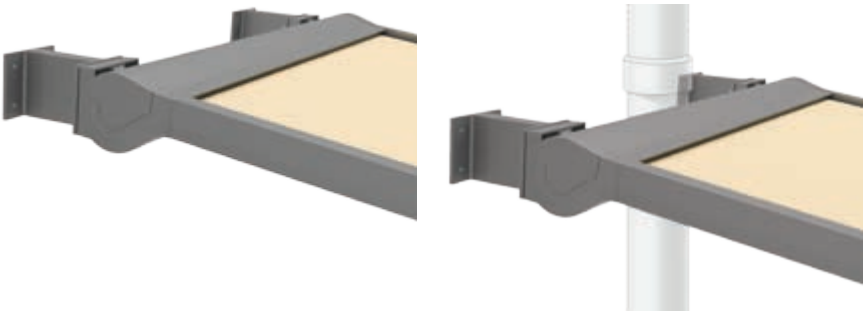


The Thermax 12/16 stand-off installation system from Fischer is suitable for insulated facades as it allows for secure fixing.



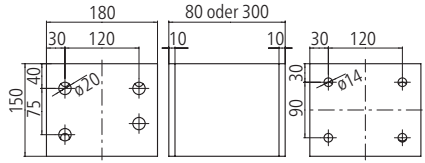
# Plaza Viva Installation

## Installation with stand off bracket (special bracket)



80 to 300 mm gaps can be bridged using the stand off bracket.

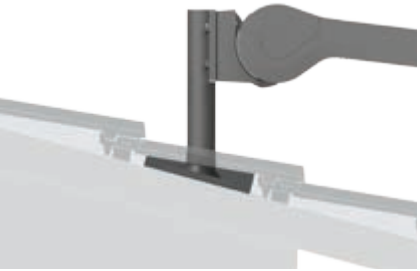
Plaza Viva with stand off bracket, e.g. to overcome a soil pipe



Stand off bracket

Stand off bracket with wall bracket

## Installation on roof using a stilt (special bracket)

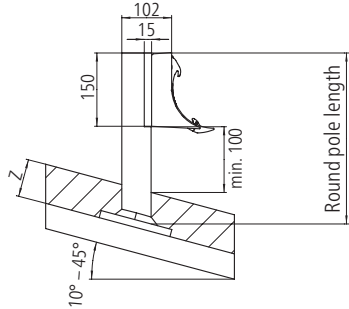
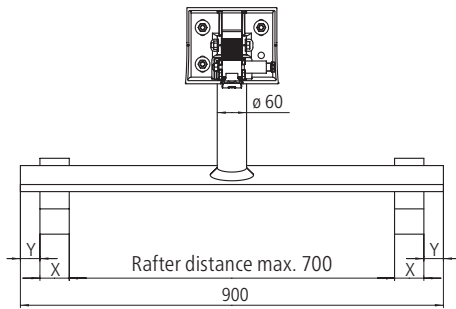


This special bracket is used for example under roof tiles. The longer plate is mounted under the roof tiles and sealed again on site. This mounting holes are drilled on site after determining the position. Please note: We need the house roof angle and length of the round pole (stilt) to install the stilt.

Use of stilt

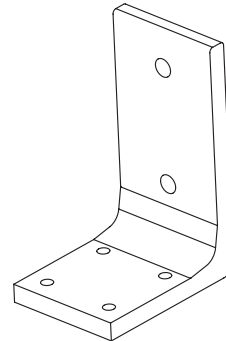
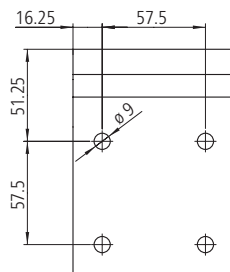
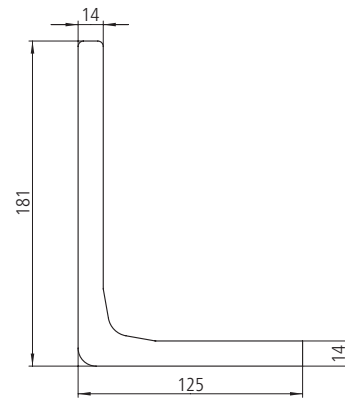
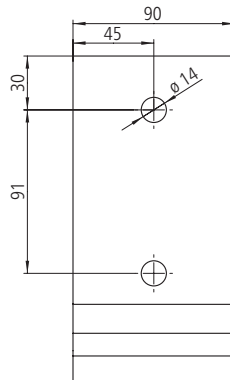


Three-piece special bracket (mounting plate, stilt, wall bracket)



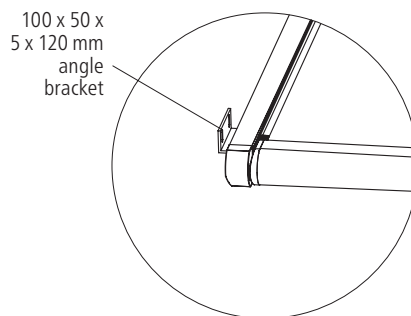
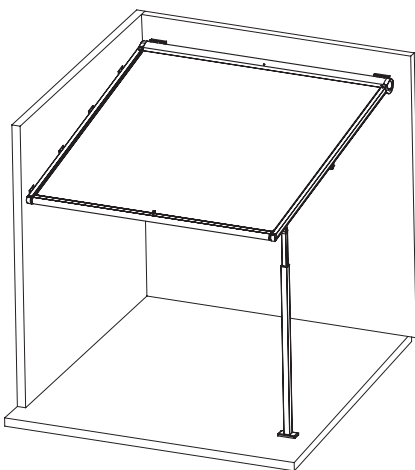
Use for installation on a roof  
 X = rafter thickness  
 Y = stilt adjustment range =  $(900 - \text{rafter distance} - 2x)/2$   
 Z = height of roof structure (tiles etc. ...)

Installation with angle bracket (special bracket)

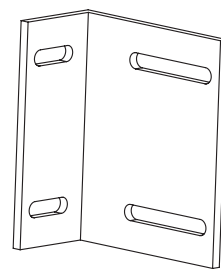
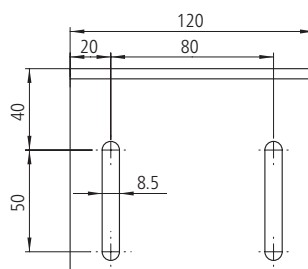
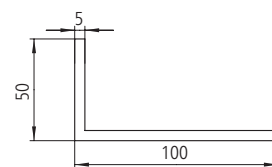
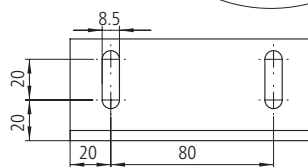


Angle bracket with posts

Installation of Plaza Viva laterally on a wall or in a niche



The Plaza Viva can also be mounted on a lateral wall, niche or next to a Terrazza using the 100 x 50 x 5 x 120 mm wall-mount angle bracket.

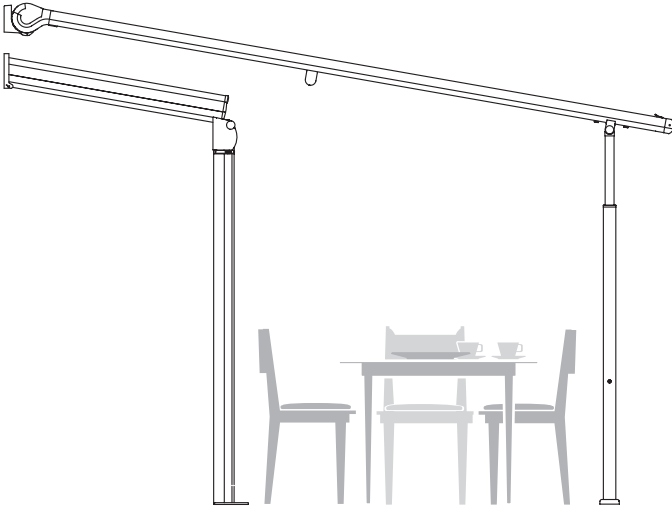


100 x 50 x 5 x 120 mm wall-mount angle bracket

## Plaza Viva Installation

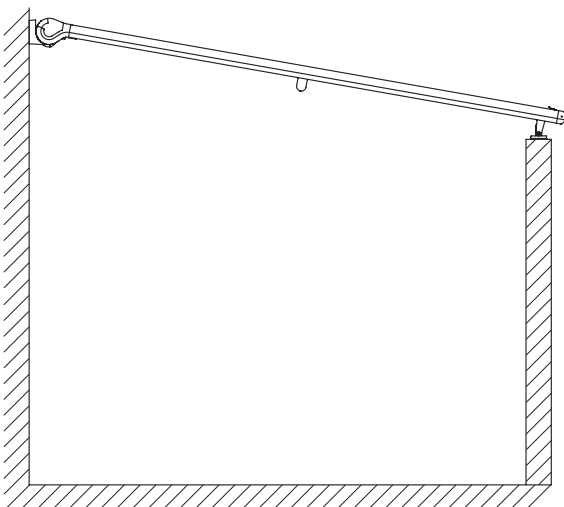
### Other application examples

#### Plaza Viva installation beyond a patio roof and/or conservatory



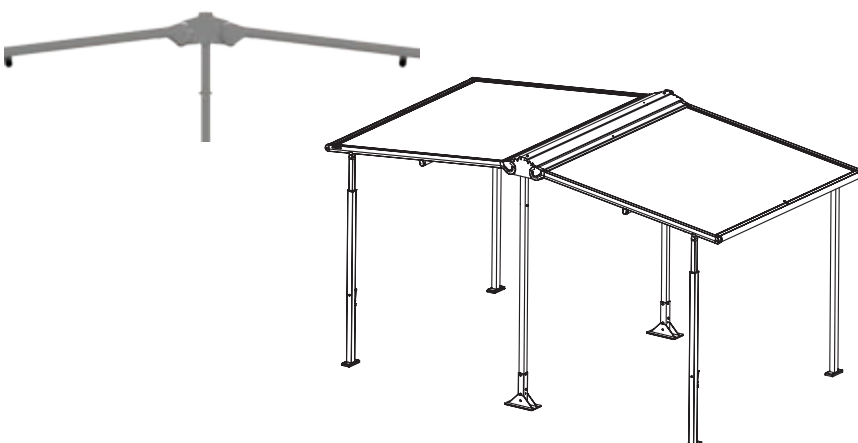
The Plaza Viva is installed on the wall on site using wall brackets and the projection is extended (the head clearance height must be noted for this). With installation without telescopic posts, the Plaza Viva can also be fixed onto the conservatory using support brackets.

#### Installation on a wall (without posts)



If there is a wall on the opposite side, it is possible to mount the Plaza Viva onto the wall without posts using adjustable support brackets.

#### Duofix supporting structure



Two Plaza Viva can be mounted on our Duofix supporting structure to achieve an even larger area of sun shade.



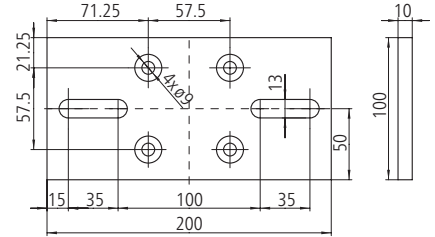




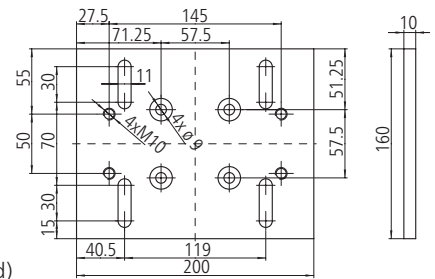
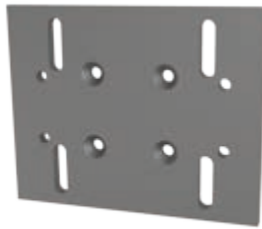
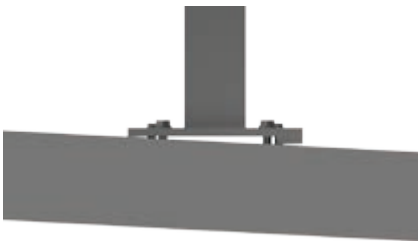
# Plaza Viva Installation

## Post installation

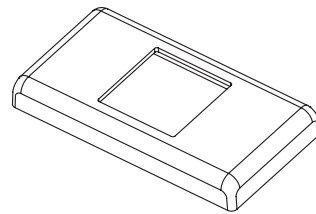
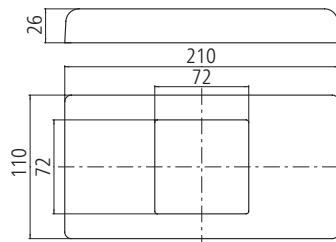
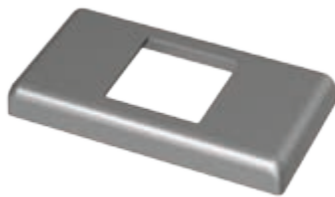
### Standard/adjustable post plates



Standard post plate (installation on even ground)

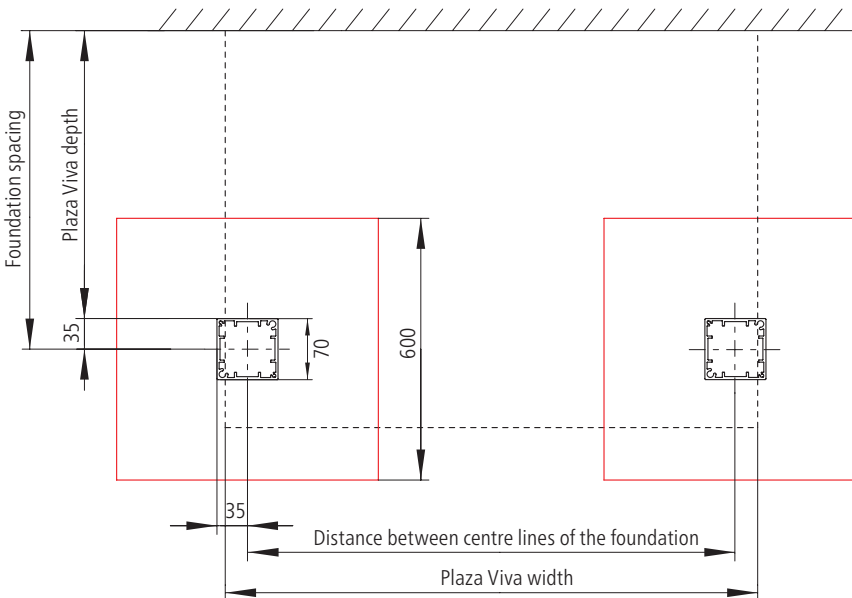


Adjustable post plate/for Krinner screw foundation systems (installation on uneven ground)



Cover cap for post plate

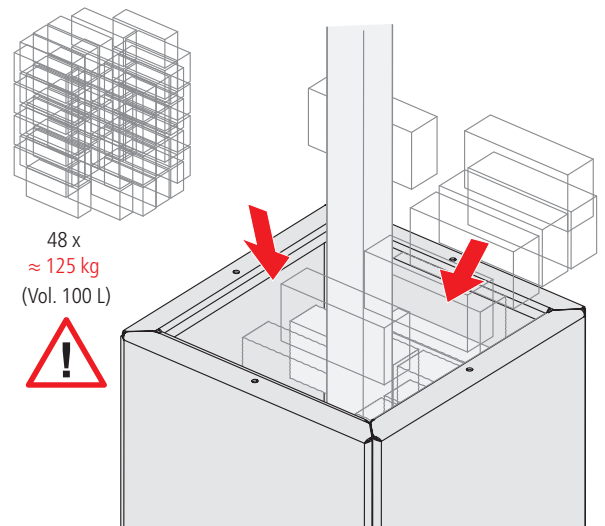
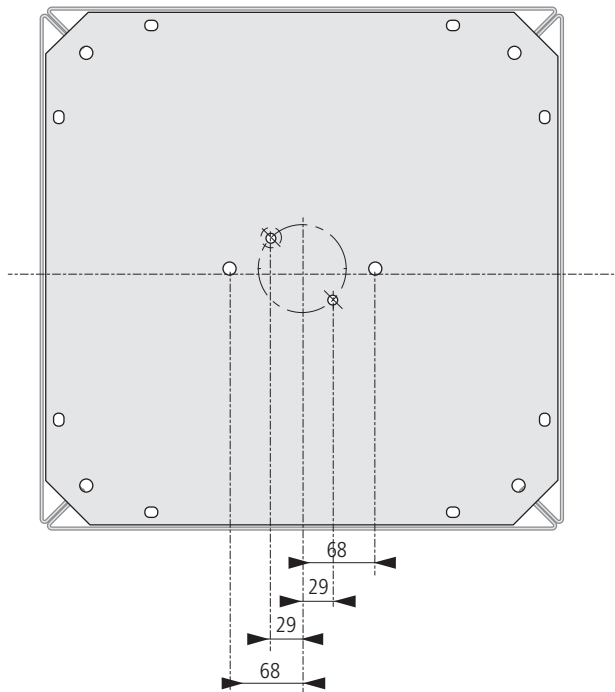
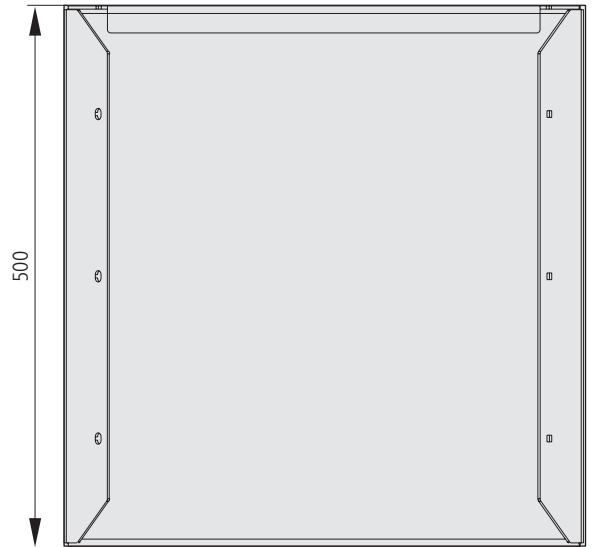
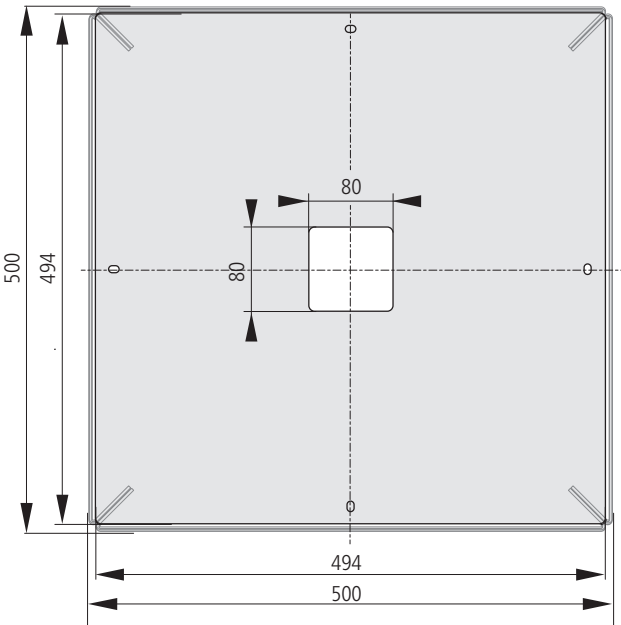
### Post foundation planning



#### Note

The size of the foundation depends on the quality of the ground, the acting loads and the climate conditions (frost depth). The size specified here assumes unfavourable conditions. A smaller foundation may also be adequate depending on the structural conditions.

Post installation weighted base for posts



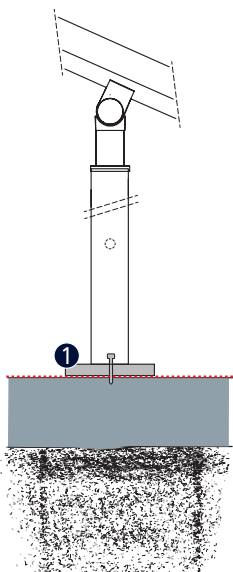
- Note:**
- The weighted base for posts has a size of approx. 500 x 500 mm, the height is approx. 560 mm.
  - As a weighting it is recommended to use 48 stones in size 200 x 100 x 60 mm. This corresponds to a weight of about 125 kg.
  - The weighted base for posts is not suitable for use on wind-exposed places.



## Post installation

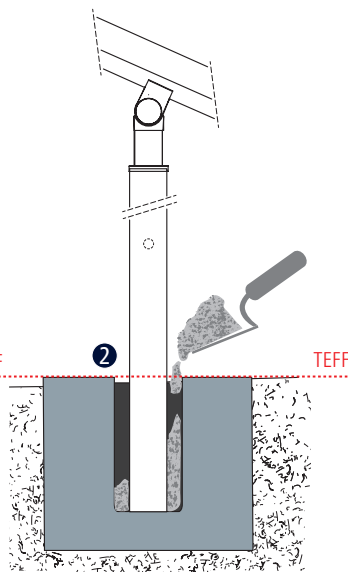
### Post fixation on concrete floor slabs ①

The standard configuration is the installation of the Plaza Viva with post plates on a given concrete floor. The finished cut length of the post is always indicated on the assembly sheet.



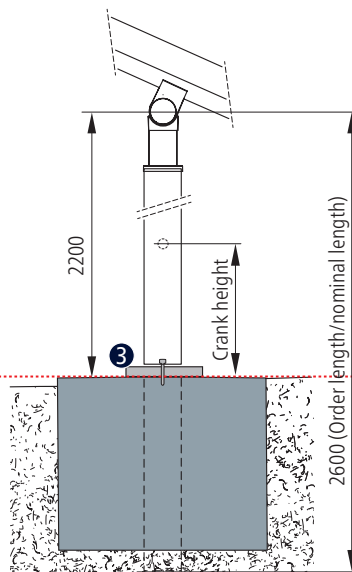
### Bucket foundation ②

Posts are securely fitted into a strong non moving base. The concrete is pured and set at the end of the installation, which simplifies the alignment of the posts.



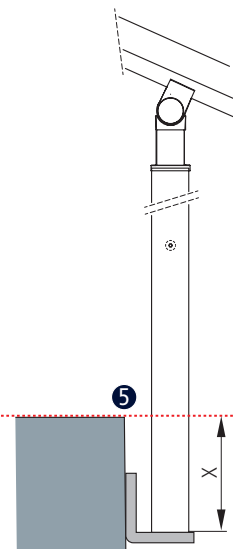
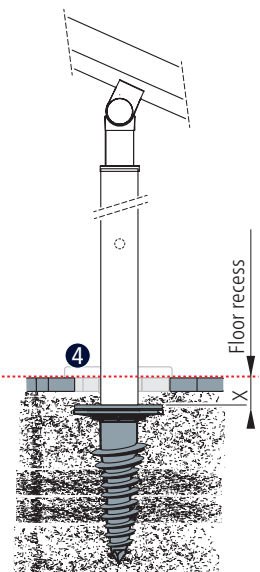
### Deep-seated foundation ③

The easy and flexible screw attachment on a 700 (w) x 800 (h) x 700 (d) mm screw foundation is carried out like the standard fixation (item 1). The reference height for the crank position as well as for the post height is always TEFF.



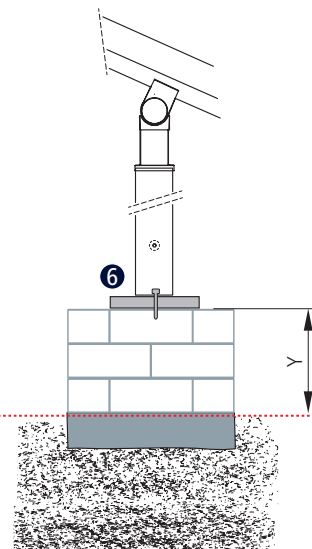
### Screw foundation ④

When fixing the posts into soil/earth they are an alternative to conventional foundation fixing. The post length as mentioned on the mounting sheet is increased by the floor level (X).



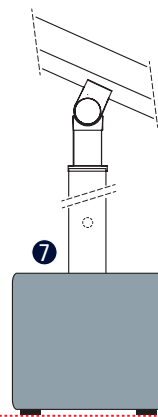
### Mounting with angle bracket ⑤

Is suitable, for example, when mounting in front of a balcony or a terrace. The calculated post length is increased by the floor level (X).



### Mounting on wall ⑥

When the post is mounted on a wall, the height of the post is reduced by the height of the wall (Y).



### Weighted base for posts ⑦

If it is not possible to fix the post into the ground then the base option can be used. For example a public/pedestrian area, indoor installation, or on a balcony.

TEFF: Top edge of finished floor  
X: Floor recess  
Y: Height wall



Premium quality  
made in Germany



Awning



Awning  
with Valance Plus  
and Tempura



Awning  
with Valance Plus  
and Paravento



Pergola awning  
Plaza Viva  
and Paravento



Pergola awning  
weinor PergoTex II  
and Tempura



Pergola awning  
weinor PergoTex II  
with VertiTex II



Terrazza  
patio roof  
with Sottezza II  
sun protection



Terrazza patio roof  
with lateral SUPER LITE  
fixed glazing



Glasoase® with  
conservatory awning  
WGM Top and full glass  
sliding door w17 easy

## AWNINGS

## PERGOLA AWNINGS

# CUSTOMISED, SYSTEMISED SOLUTIONS

## PATIO ROOFS AND GLASOASE®

We reserve the right to make technical changes as well as changes in range and product portfolio. For technical reasons, the colours may appear slightly different when printed.

As of: 08/2018 Z

